

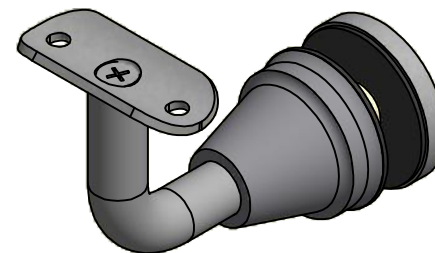
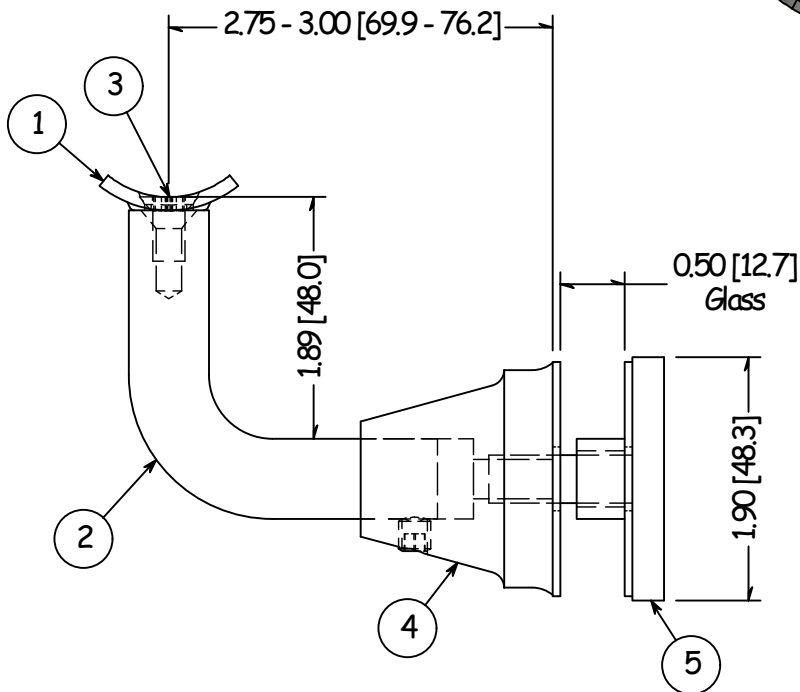
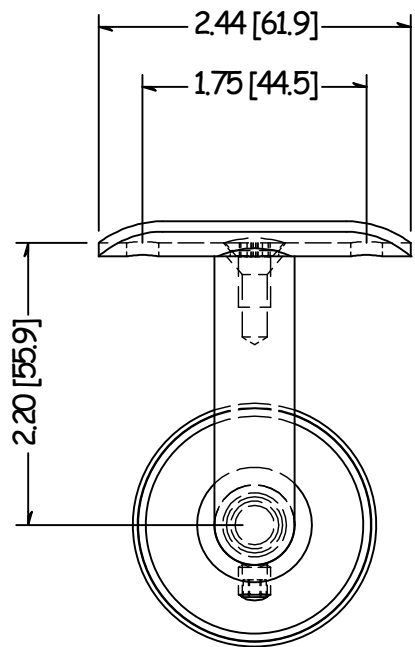
2



1

PARTS LIST

ITEM	QTY	PART NUMBER	DESCRIPTION
1	1	GB4382B	SADDLE SS C'SUNK MILL
2	1	GB4382C	BAR BEND FOR GLASS MOUNT BRACKET .625 DIA 304 SS
3	1	FPH3N2520-0050	SCREW SS 1/4-20 X .50 FLAT PHILLIPS HEAD
4	1	GB4382H	Base Hub, Stainless Steel, Cast, #4 Satin Finish, Type 316
5	1	GB4387K	HANDRAIL BRACKET GLASS MOUNT ADAPTER ASSY, SS, 1.90 DIA, FOR 1/2" GLASS



B

B




A

A

REVISION HISTORY

REV	DESCRIPTION	DATE
1	CAST HUB	1/9/2014
2	Changed Screw	7/30/2014

DESCRIPTION: Handrail Bracket, SS, Glass Mount, 1/2 Inch, 2-3/4 To 3 Inch From Glass, 1.90 DISK

TOLERANCE UNLESS OTHERWISE NOTED, TOLERANCES TO CONFORM TO ES.03.011	MATERIAL: 304 Stainless	DATE: 2/11/2021		REV: 2
	FINISH: #4	DRAWN BY: K.Turdo		
	WEIGHT: N/A	ITEM NUMBER: GB4387		 10600 W Brown Deer Rd Milwaukee, WI 53224 COLLABORATIVE METALWORKS http://www.wagnercompanies.com/

2



1