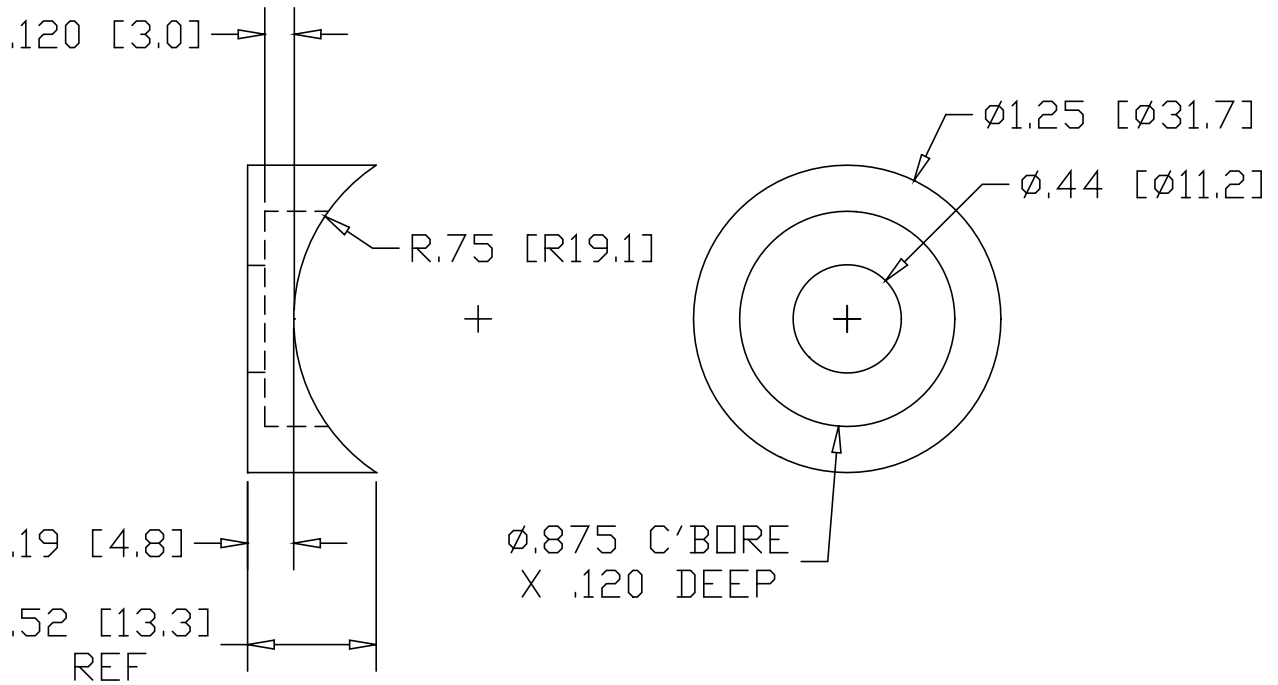


REV  
A  
SH  
AA1507  
DWG NO

REVISIONS			
REV	DESCRIPTION	DATE	APPROVED
A	ADDED C'BORE	09/29/06	RJF




\* BREAK SHARP CORNERS .015 TYPICAL

INCHES [MILLIMETERS]

UNLESS OTHERWISE SPECIFIED DIMENSIONS ON THIS DRAWING ARE SUBJECT TO THE FOLLOWING TOLERANCES:

X.X = .100  
X.XX = .030  
X.XXX = .010

PART NAME		HANDRAIL MOUNT ADAPTER "A" FOR 1.50" OD POST	
MATERIAL		Ø1.25" (6063) ALUMINUM	
DATE	5/5/99		THE WAGNER COMPANIES R & B WAGNER, INC. AND J. G. BRAUN CO.
DRAWN BY	RJF		
FINISH	#4 SATIN	SIZE	A
		WEIGHT	
		PART NUMBER	AA1507
			REV A