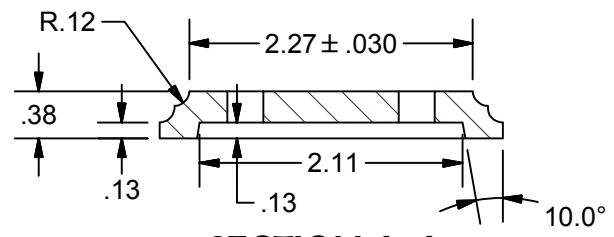
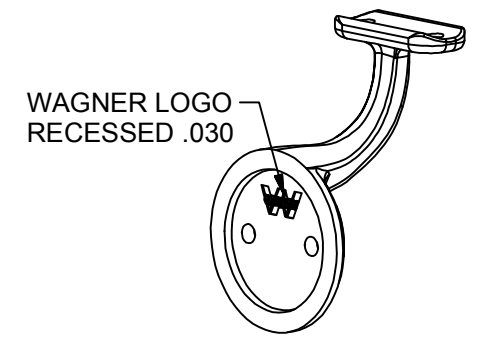
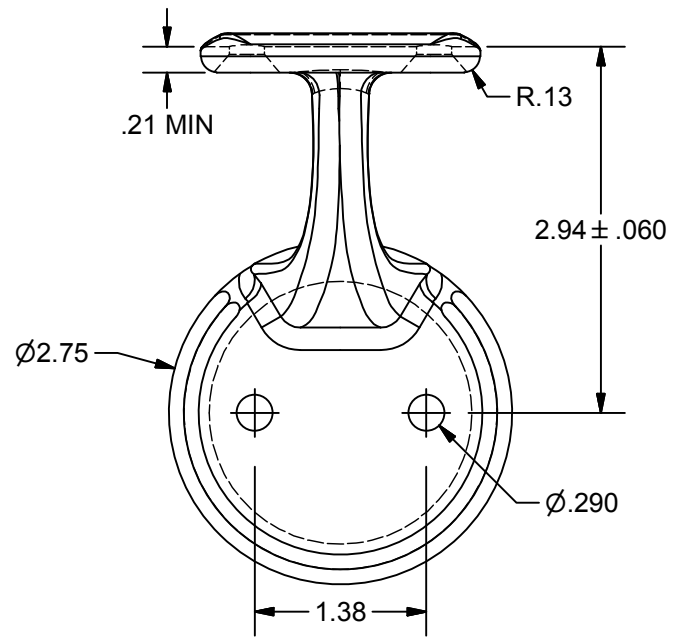
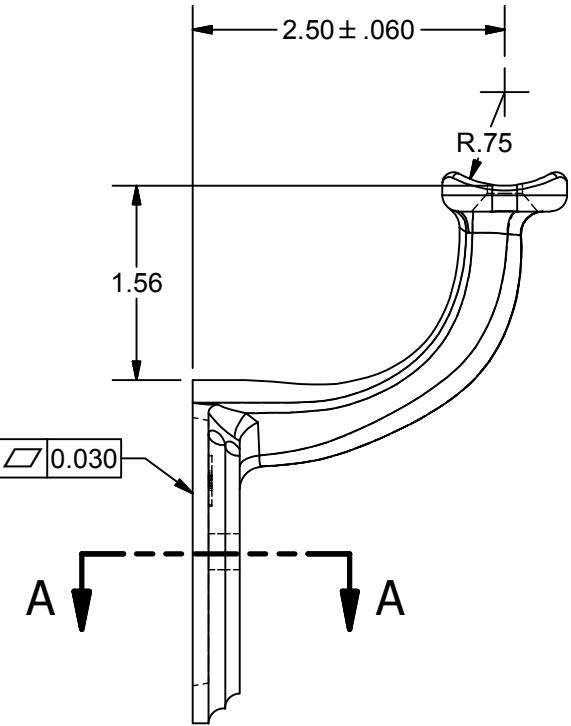
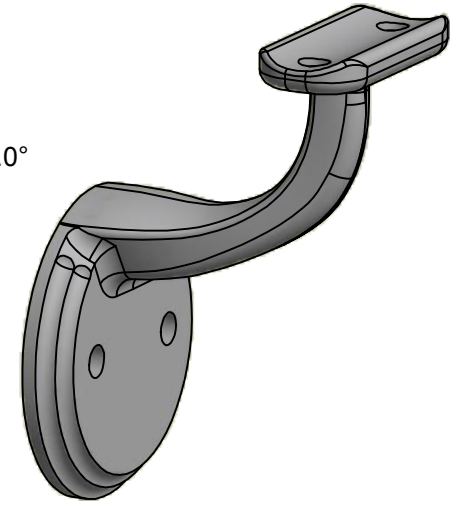
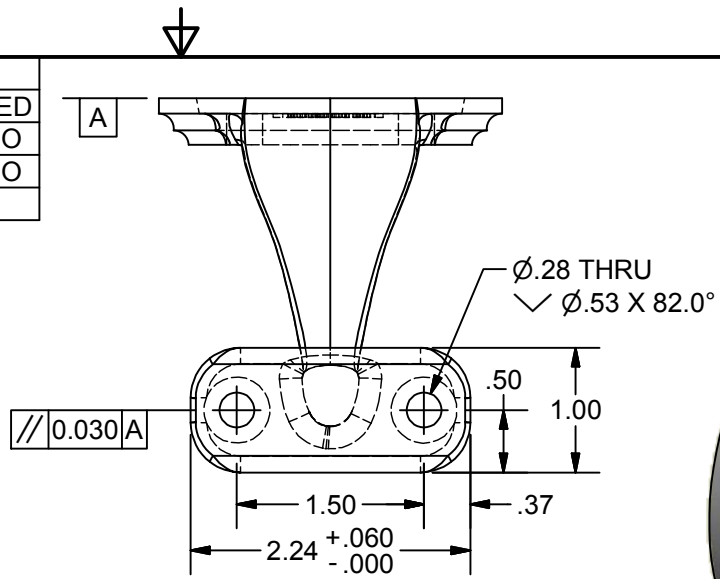


REVISION HISTORY

REV	DESCRIPTION	DATE	APPROVED
1	SADDLE THICKNESS .21 WAS .18	09/09/13	K. TURDO
2	INCREASED HOLE TOLERANCES	11/18/13	K. TURDO
3	REDRAWN	06/19/15	RJF



SECTION A-A

NAME		2.50" TRADITIONAL CAST HANDRAIL BRACKET			
MATERIAL		304 STAINLESS STEEL ASTM A276-304			
DATE	5/25/2010	COLLABORATIVE METAL WORKS			
DRAWN	RJF				
FINISH	#4 SATIN	 WAGNER ™	PART NUMBER	REV	
SIZE	A				WEIGHT