

2



1

REVISION HISTORY

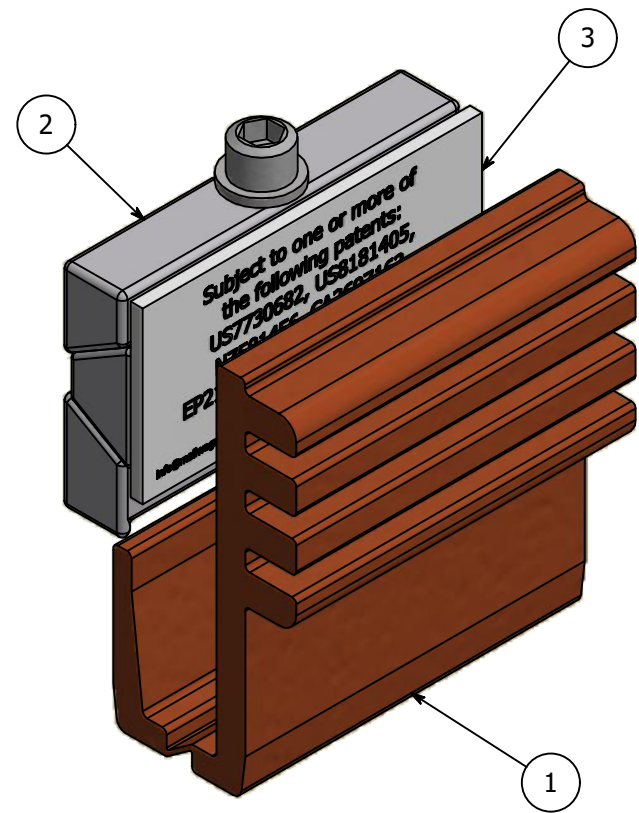
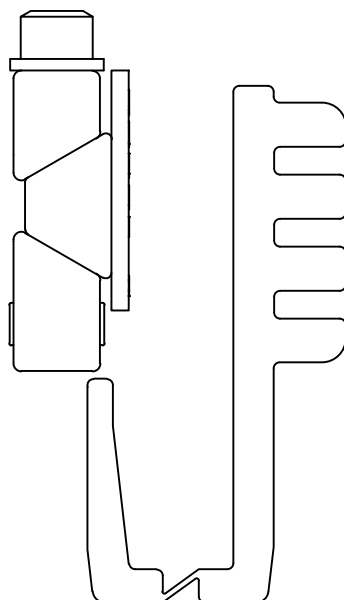
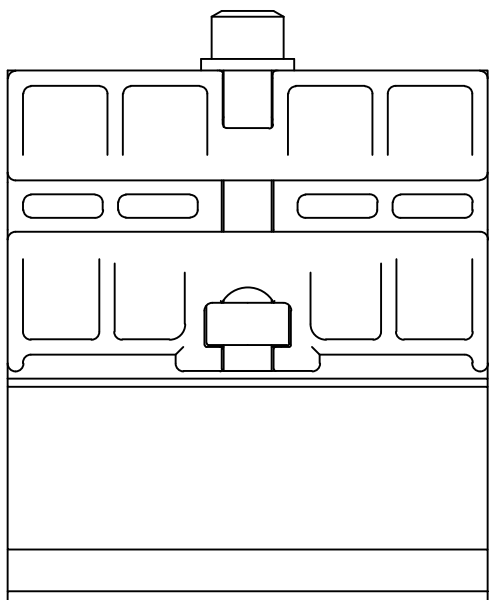
REV	DESCRIPTION	DATE
2	Changed red pad to white	11/20/2017
3	PGISO.035 Qty. 2 WAS PGISO.125 Qty. 1	12/20/2018
4	PGISO.090 Qty. 1 WAS PGISO.035 Qty. 2	2/1/2019
5	Added Sheet 2, mechanism details	3/18/2019

PARTS LIST

ITEM	QTY	PART NUMBER	DESCRIPTION
1	1	PGISO60	Brown Isolator, Plastic, Used with Panel Grip, 1/2" Glass
2	1	N/A	Panel Grip Assembly, see sheet 2
3	1	PGISO.090	Isolator HDPE White/PSA 3M 468MP One Side .090 Inch X 1.25 Inch X 2.5 Inch Printed

B

B



A

A

2

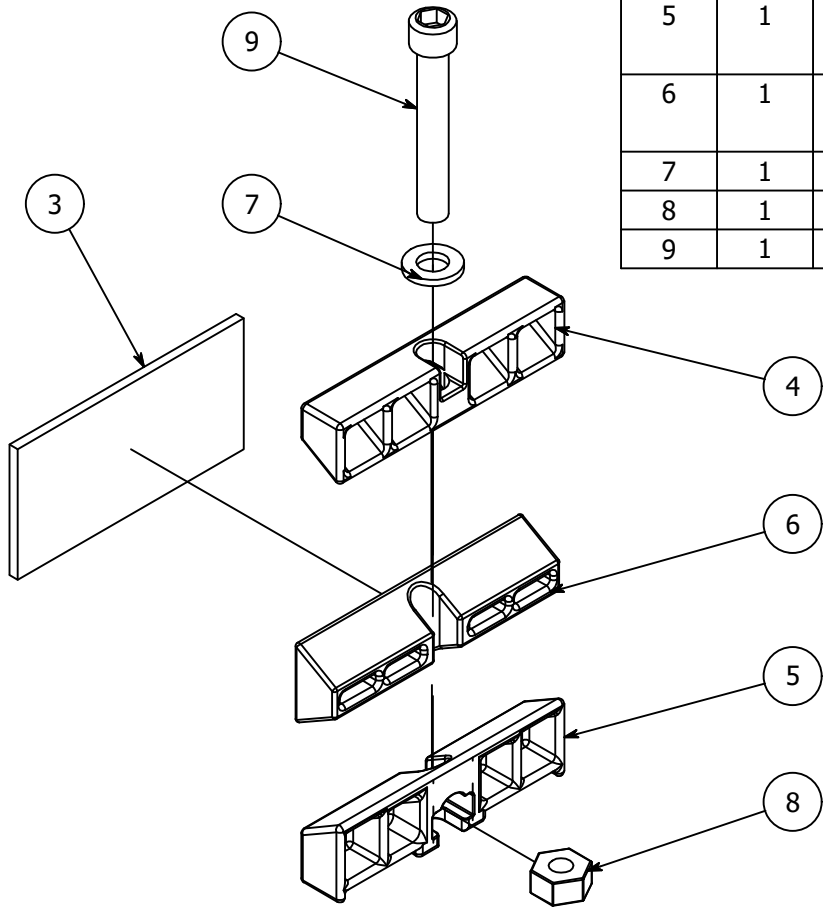


1

<p><b>TOLERANCE</b></p> <p>X.X..... = ± .060</p> <p>X.XX..... = ± .030</p> <p>X.XXX..... = ± .010</p> <p>XX°..... = ± 1°</p> <p>UNLESS OTHERWISE NOTED</p>	CUT LENGTH:	FINISH:	DESCRIPTION: PanelGrip 2 for 1/2" Glass, Dry Mount Mechanism, w/ Brown Isolator and Red Pad	
		As Is	MATERIAL:	MATERIAL DESC:
	DEVELOPED LENGTH:	WEIGHT:	DATE:	REV:
		0.26 lbmass	3/18/2019	5
TOOL NUMBER:			DRAWN BY:	<p>WAGNER</p> <p>COLLABORATIVE METAL WORKS</p>
			K. Bauserman	
			PART NUMBER:	
			PG2460	

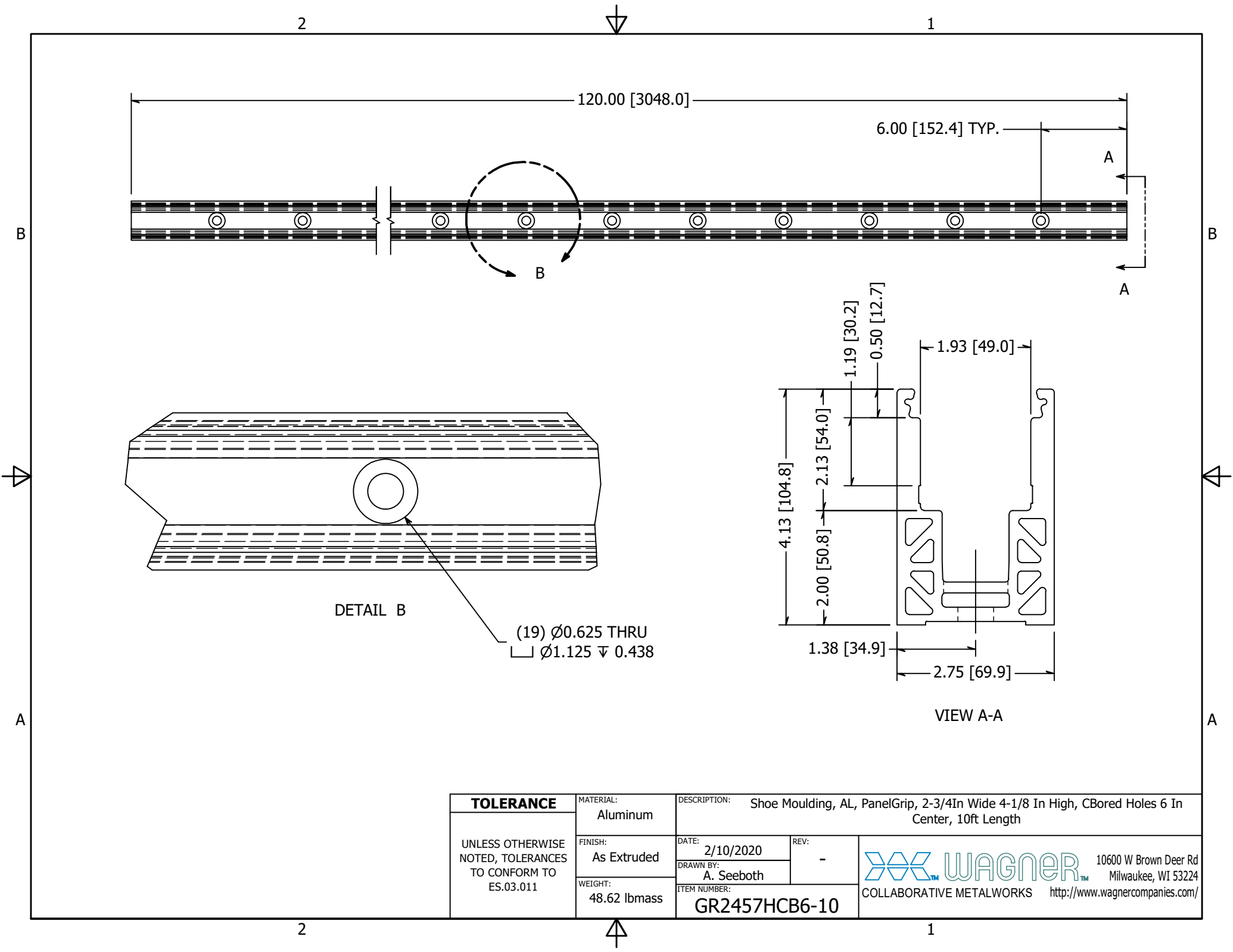
# PANEL GRIP MECHANISM ASSEMBLY

PARTS LIST			
ITEM	QTY	PART NUMBER	DESCRIPTION
3	1	PGISO.090	Isolator HDPE White/PSA 3M 468MP One Side .090 Inch X 1.25 Inch X 2.5 Inch Printed
4	1	PG2T	PanelGrip, Zinc Aluminum, Cast, Top Block, .450" Thick, .57" High, 2.50" Long
5	1	PG2B	PanelGrip, Zinc Aluminum, Cast, Bottom Block, .450" Thick, .72" High, 2.50" Long
6	1	PG2C	PanelGrip, Zinc Aluminum, Cast, Center Block, .450" Thick, .76" High, 2.50" Long
7	1	PG2LW	Washer Lock, 1/4-20, Stainless Steel
8	1	PG2NUT	Nut, Stainless Steel, 1/4-20 FHN
9	1	SHC3N2520-0163	SCREW SS 1/4-20 X .50 SOCKET HEAD CAP



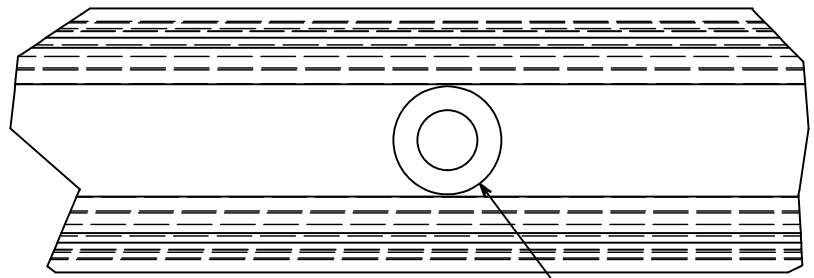
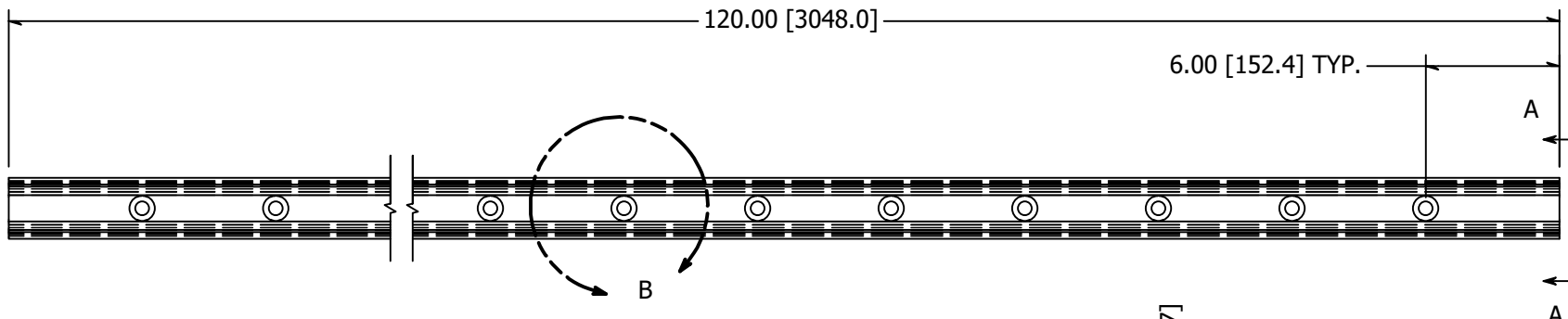
<b>TOLERANCE</b> X.X.....= ± .060 X.XX.....= ± .030 X.XXX.....= ± .010  XX°.....= ± 1°  UNLESS OTHERWISE NOTED	CUT LENGTH:	FINISH:	DESCRIPTION: PanelGrip 2 for 1/2" Glass, Dry Mount Mechanism, w/ Brown Isolator and Red Pad	
	DEVELOPED LENGTH:	WEIGHT:	MATERIAL:	MATERIAL DESC:
	TOOL NUMBER:		DATE:	REV:
			3/18/2019 DRAWN BY: K. Bauserman	5
		PART NUMBER:	 COLLABORATIVE METAL WORKS	

PG2460



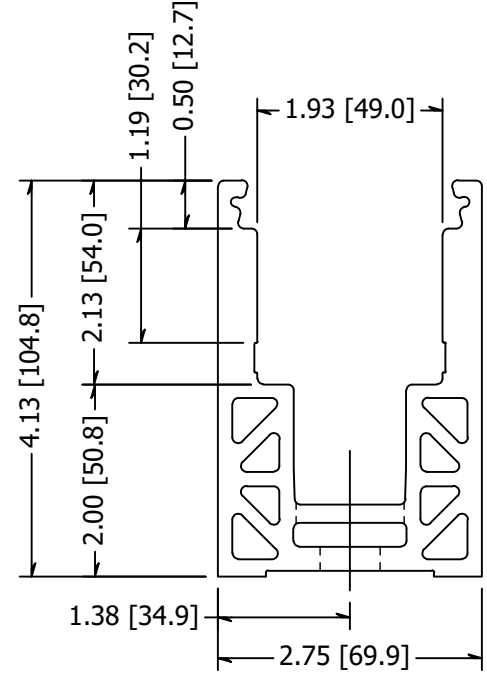
2

1



DETAIL B

(19)  $\varnothing 0.625$  THRU  
 $\varnothing 1.125 \nabla 0.438$



VIEW A-A

<b>TOLERANCE</b>  UNLESS OTHERWISE NOTED, TOLERANCES TO CONFORM TO ES.03.011	MATERIAL: Aluminum	DESCRIPTION: Shoe Moulding, AL, PanelGrip, 2-3/4In Wide 4-1/8 In High, CBored Holes 6 In Center, 10ft Length	
	FINISH: As Extruded	DATE: 2/10/2020	REV: -
	WEIGHT: 48.62 lbmass	DRAWN BY: A. Seeboth	
		ITEM NUMBER: <b>GR2457HCB6-10</b>	


 10600 W Brown Deer Rd  
 Milwaukee, WI 53224  
 COLLABORATIVE METALWORKS <http://www.wagnercompanies.com/>

2

1