

REV

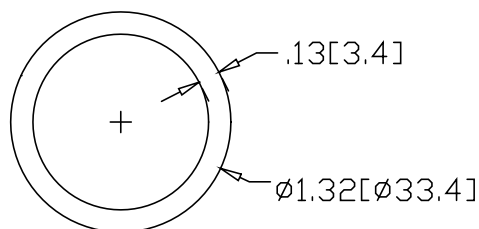
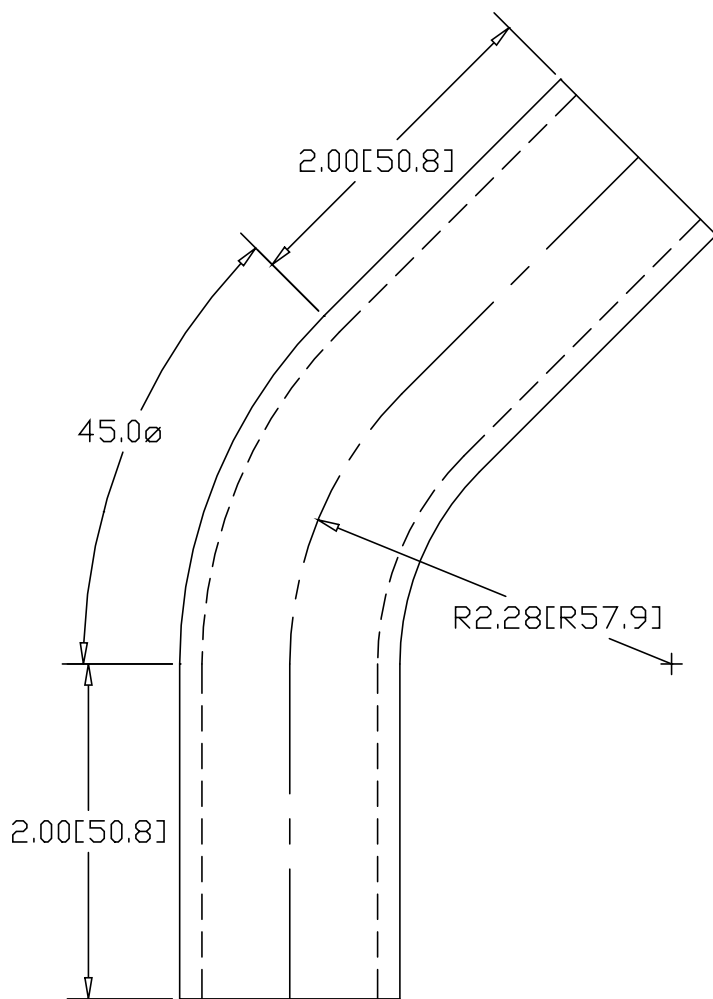
SH

4504

DWG NO


REVISIONS

REV	DESCRIPTION	DATE	APPROVED



INCHES [MILLIMETERS]

ALTERNATE MATERIAL	PART NUMBER
1" SCH 40 (6063) ALUMINUM PIPE	4518
1" SCH 40 (304) STAINLESS STEEL PIPE	4532

PART NAME 1" PIPE SIZE 45° ELL X 1-5/8" I.R. W/(2) 2" TANGENTS							
MATERIAL 1" SCH 40 A53 STEEL PIPE							
DATE	8/18/95	 R & B WAGNER, INC.					
DRAWN BY	RJF						
FINISH	MILL						
SIZE	A	WEIGHT	.81 LBS	PART NUMBER	4504	REV	