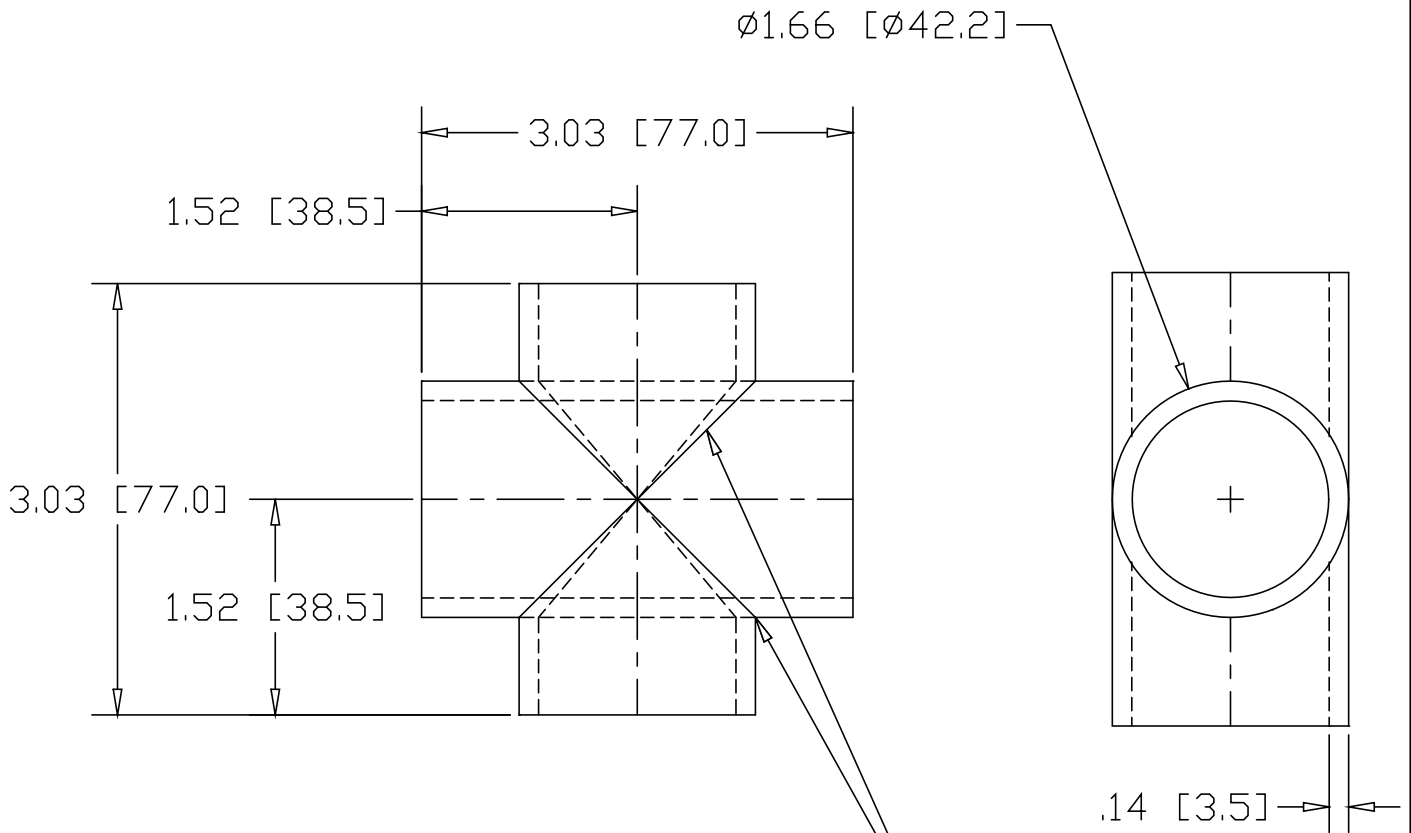



REV
SH
858
DWG NO

REVISIONS			
REV	DESCRIPTION	DATE	APPROVED



(2) STUBS WELDED ALL AROUND

INCHES [MILLIMETERS]

PART NAME		1-1/4" ALUMINUM CROSS			
MATERIAL		1-1/4" SCH40 ALUMINUM PIPE			
DATE	11/16/01	 R & B WAGNER, INC.			
DRAWN BY	JAH				
FINISH	MILL	SIZE	WEIGHT	PART NUMBER	REV
		A	.3 lbs	858	