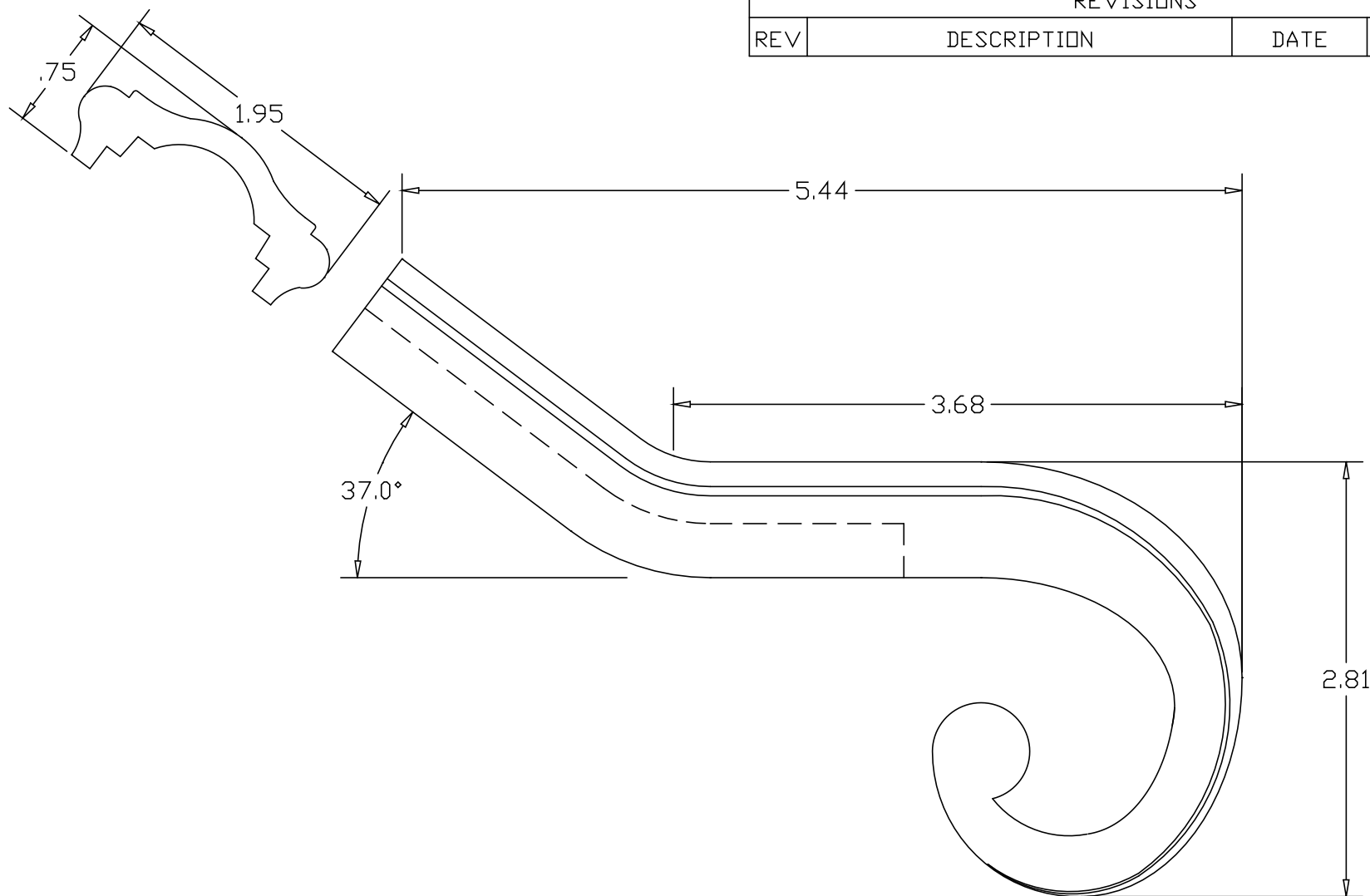


PART NUMBER	H1252F	SH	REV
-------------	--------	----	-----

REVISIONS			
REV	DESCRIPTION	DATE	APPROVED



PART NAME		TERMINAL END FOR HANDRAIL H1252		
MATERIAL		CAST MALLEABLE IRON ASTM A47		
DATE	05/19/04	WAGNER	THE WAGNER COMPANIES R & B WAGNER, INC. AND J. G. BRAUN CO.	
DRAWN BY	RJF			
FINISH	SHOT BLASTED	SIZE	WEIGHT	PART NUMBER
		A	1.78 LBS	H1252F
				REV