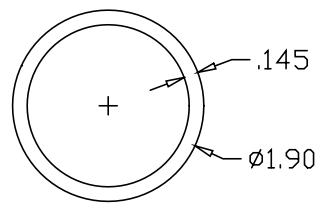
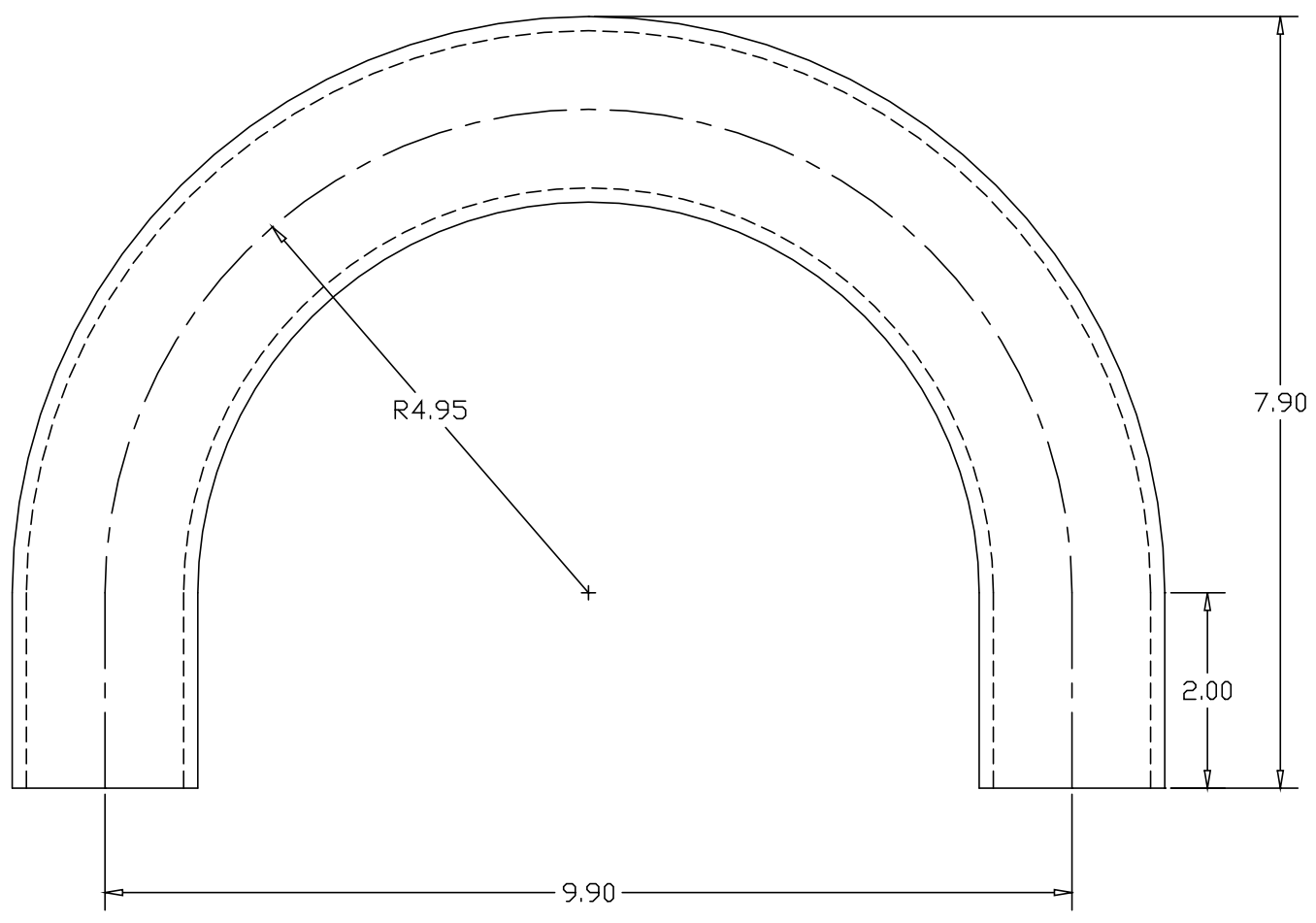



REV
SH
5669
DWG NO

REVISIONS			
REV	DESCRIPTION	DATE	APPROVED



ALTERNATE MATERIAL	PART NUMBER
1-1/2" SCH 40 (6063) ALUMINUM PIPE	5679
1-1/2" SCH 40 (304) STAINLESS STEEL PIPE	5689

PART NAME 1-1/2" PIPE SIZE 180° ELL X 4" I.R. W/ (2) 2" TANGENTS			
MATERIAL 1-1/2" SCH 40 A53 STEEL PIPE			
DATE 4/5/96	 R & B WAGNER, INC.		
DRAWN BY RJF			
FINISH MILL		SIZE A	WEIGHT 4.43 LBS
			REV