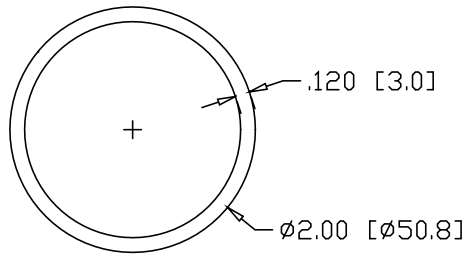
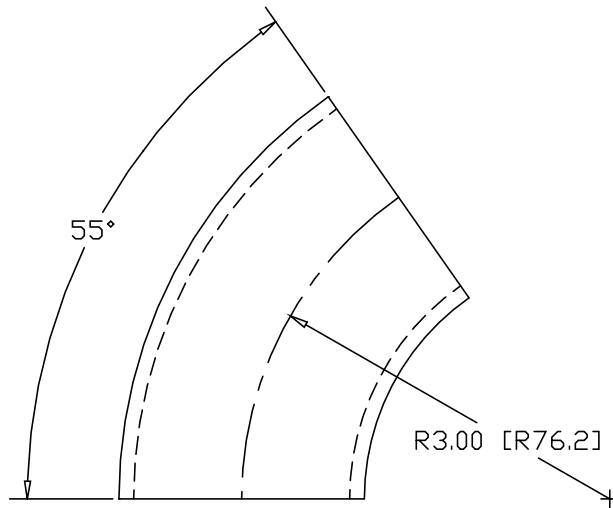



REV
SH
7954
DWG NO

REVISIONS			
REV	DESCRIPTION	DATE	APPROVED



INCHES [MILLIMETERS]

PART NAME		2" O.D. TUBE 55° ELL X 3" CLR					
MATERIAL		2" O.D. X .120W STEEL TUBE					
DATE	8/24/00		THE WAGNER COMPANIES R & B WAGNER, INC. AND J. G. BRAUN CO.				
DRAWN BY	RJF						
FINISH	MILL						
SIZE	A	WEIGHT	.58 LBS	PART NUMBER	7954	REV	