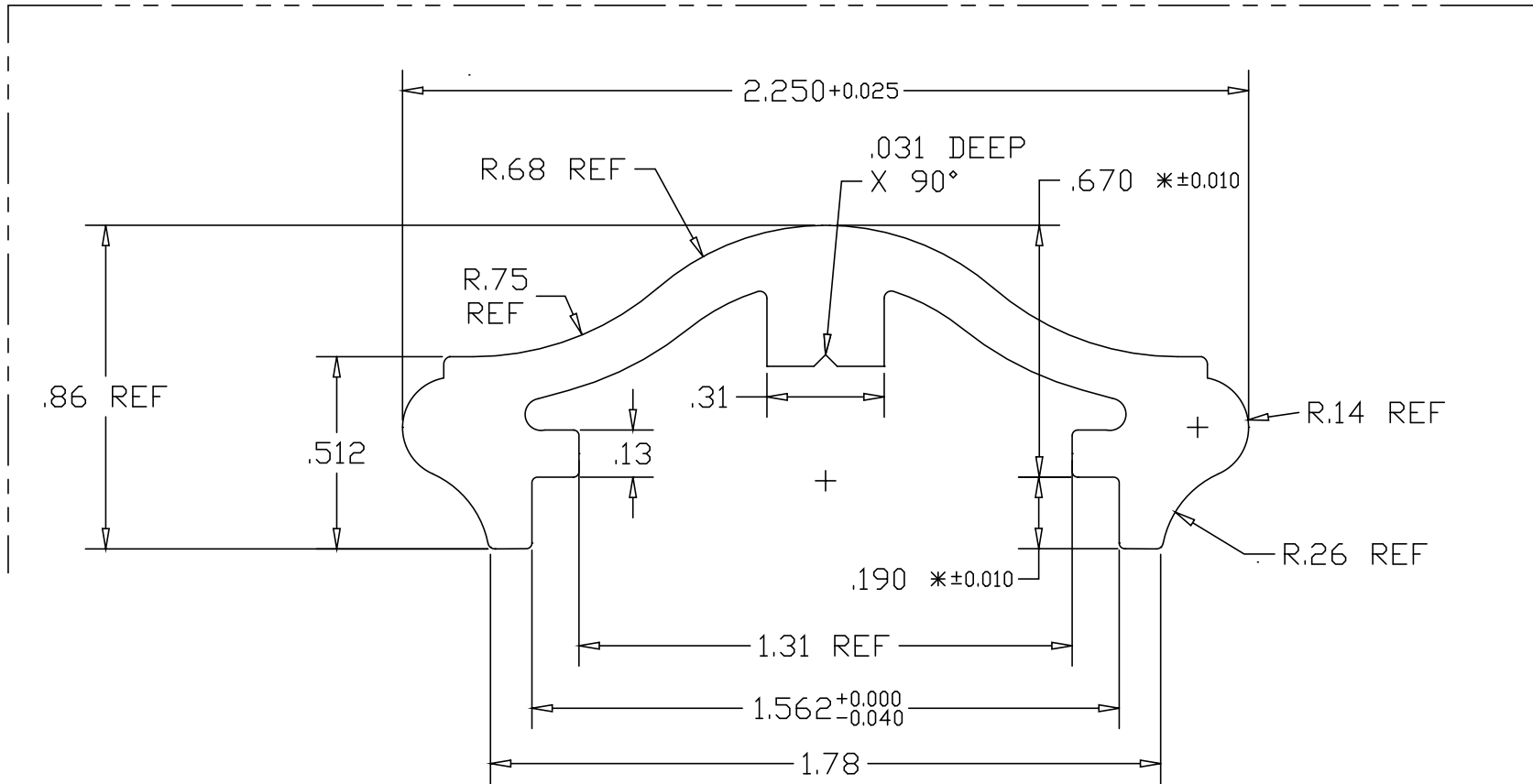


REVISIONS			
REV	DESCRIPTION	DATE	APPROVED


EXPOSED SURFACE



\* NOTE: TOTAL TOLERANCE ACROSS BOTH DIMENSIONS ±.020

UNLESS OTHERWISE SPECIFIED DIMENSIONS ON THIS DRAWING ARE SUBJECT TO THE FOLLOWING TOLERANCES:

X.X	= ±.100	ANGLES ±1°
X.XX	= ±.030	
X.XXX	= ±.010	

PART NAME		385 BRONZE HANDRAIL MOULDING		
MATERIAL		C38500 ALLOY EXTRUDED BRONZE		
DATE	1/03/08		THE WAGNER COMPANIES R & B WAGNER, INC. AND J. G. BRAUN CO.	
DRAWN BY	RDC			
FINISH	MILL	SIZE	WEIGHT	PART NUMBER
		A	2.043 LBS/FT	H5816
				REV