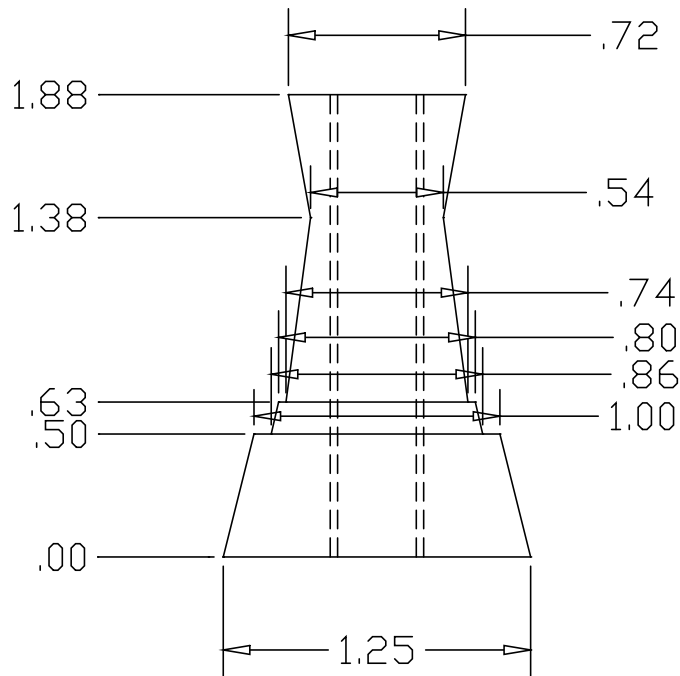
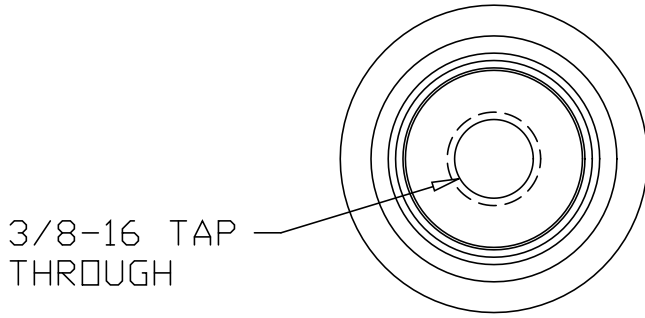


REV
A
SH
RB250
DWG NO

REVISIONS			
REV	DESCRIPTION	DATE	APPROVED
A	THREADED CENTER HOLE	1/17/00	RJF



* BREAK SHARP CORNERS .015 TYPICAL

PART NAME		HANDRAIL MOUNT STEM "R" FOR 2.13" CL		
MATERIAL		360 FREE-MACHINING BRASS		
DATE	5/5/99		THE WAGNER COMPANIES R & B WAGNER, INC. AND J. G. BRAUN CO.	
DRAWN BY	RJF			
FINISH	#4 SATIN			
SIZE	A	WEIGHT	PART NUMBER	RB250
				REV A