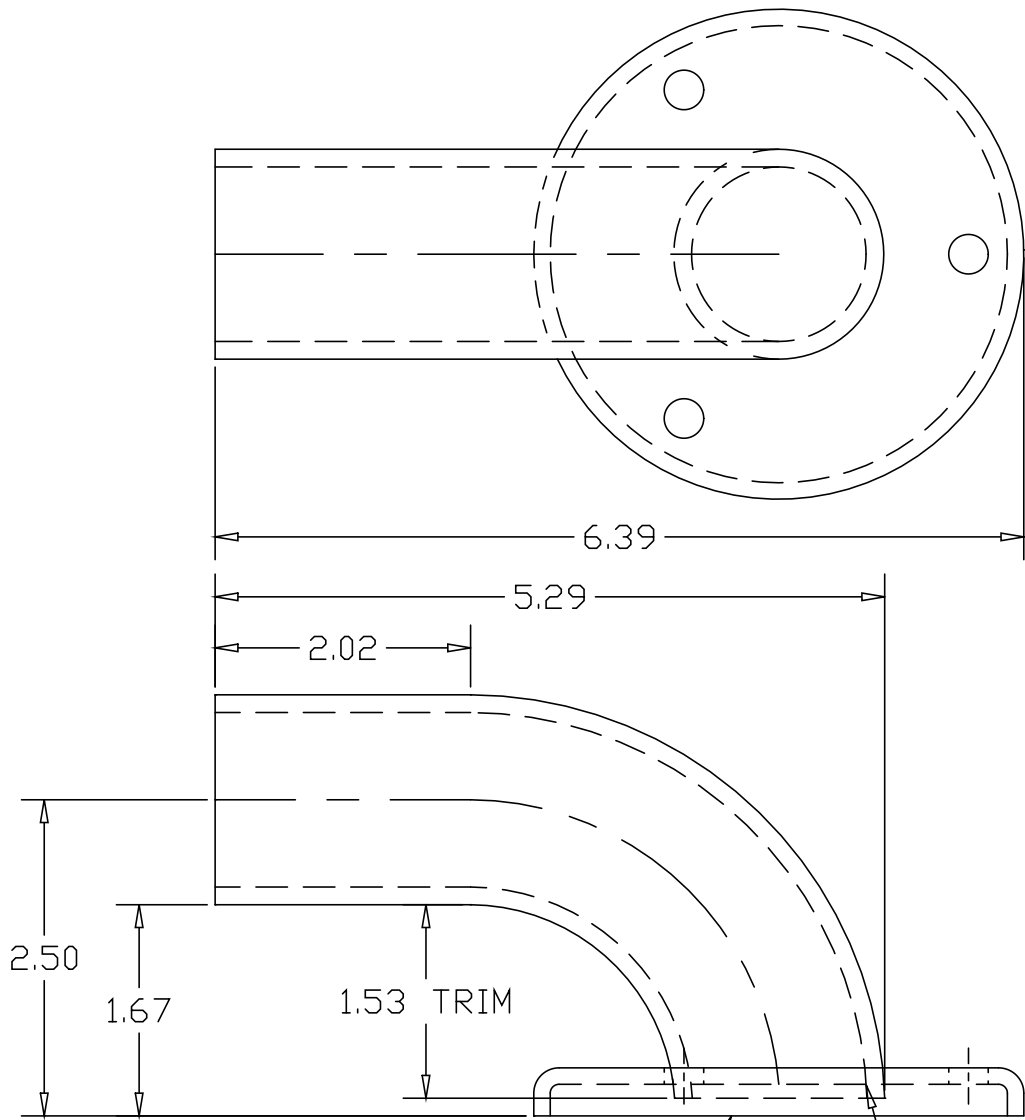



REV
SH
DWG NO 1109-3

REVISIONS			
REV	DESCRIPTION	DATE	APPROVED



HEAVY FLUSH BASE
PIPE FLANGE #2567A

WELD ALL-AROUND

PART NAME 1-1/4" PIPE SIZE X 2.50"CL WALL RETURN W/3 HOLES			
MATERIAL 6063 ALUMINUM			
DATE 10/01/02		THE WAGNER COMPANIES R & B WAGNER, INC. AND J. G. BRAUN CO.	
DRAWN BY RDC			
FINISH #4 SATIN ANODIZED	SIZE A	WEIGHT	PART NUMBER 1109-3.4AN
			REV