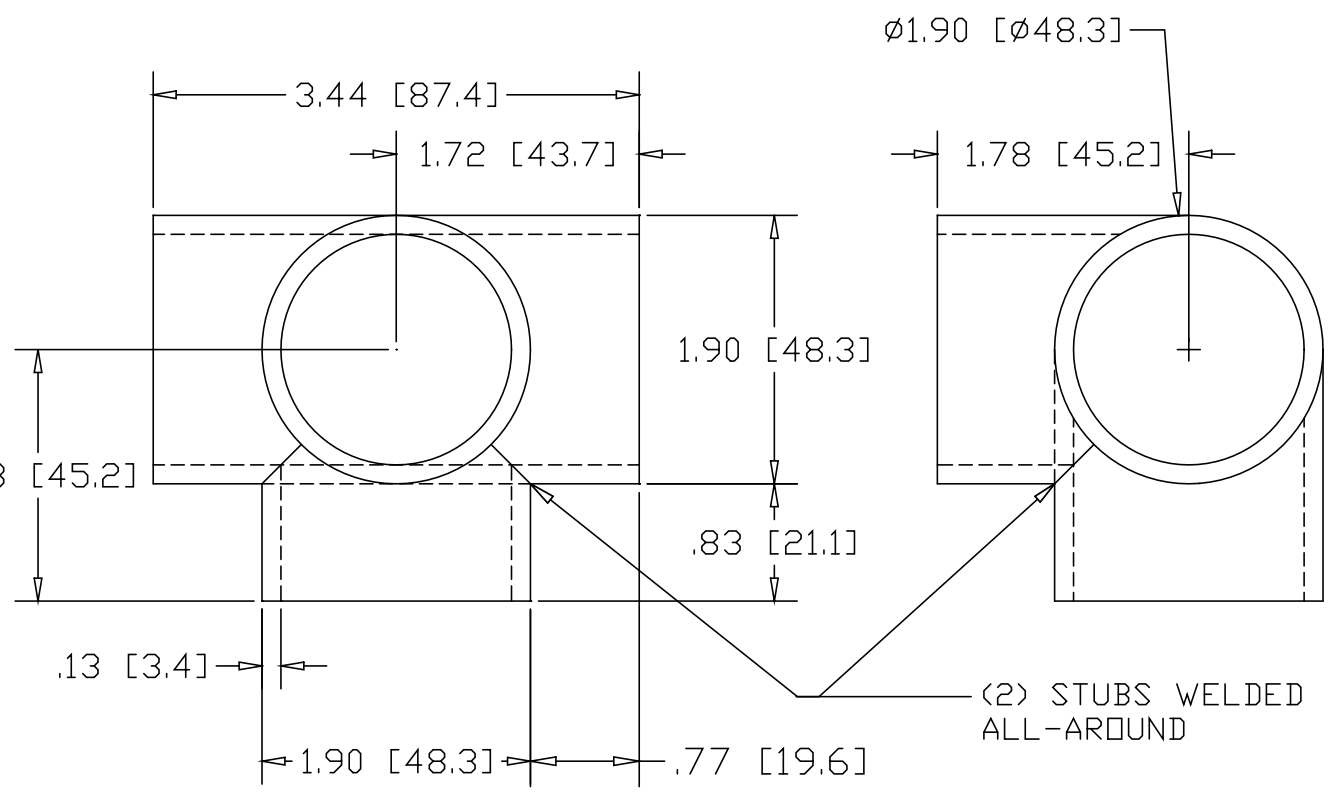



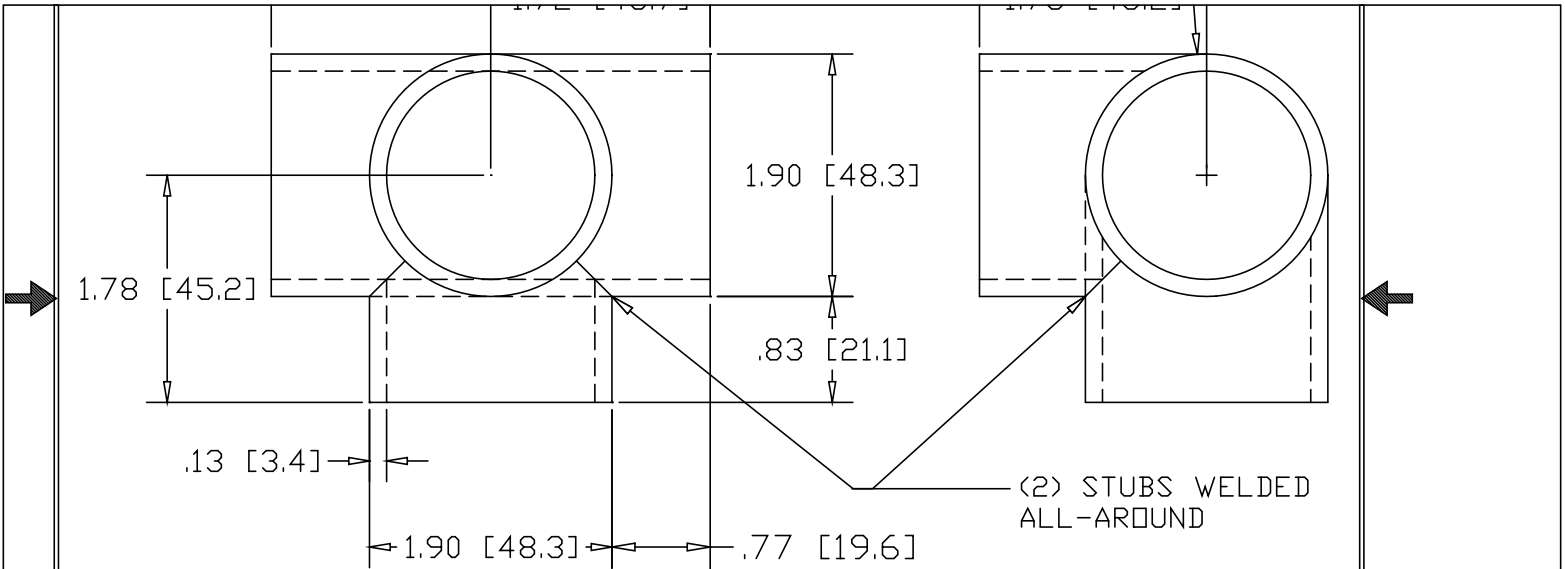
REV
SH
870
DWG NO

| REVISIONS | | | |
|-----------|-------------|------|----------|
| REV | DESCRIPTION | DATE | APPROVED |




INCHES [MILLIMETERS]

| | | | |
|-------------------------------------------------------|-------------------------------------------------------------------------------------------------------------------|------------------|-----------------|
| PART NAME 1-1/2" PIPE SIZE FLUSH WELD SIDE OUTLET TEE | | | |
| MATERIAL 1-1/2" SCH40 ALUMINUM PIPE | | | |
| DATE 11/20/01 |  R & B WAGNER, INC. | | |
| DRAWN BY JAH | | | |
| FINISH MILL | SIZE A | WEIGHT 1.15 LBS. | PART NUMBER 870 |
| | | | REV |



INCHES [MILLIMETERS]

| | | | |
|-------------------------------------------------------|----------|-------------------------------------------------------------------------------------------------------------------|-----------|
| PART NAME 1-1/2" PIPE SIZE FLUSH WELD SIDE OUTLET TEE | | | |
| MATERIAL 1-1/2" SCH40 ALUMINUM PIPE | | | |
| DATE | 11/20/01 |  R & B WAGNER, INC. | |
| DRAWN BY | JAH | | |
| FINISH | MILL | SIZE | A |
| | | WEIGHT | 1.15 LBS. |
| | | PART NUMBER | 870 |
| | | REV | |