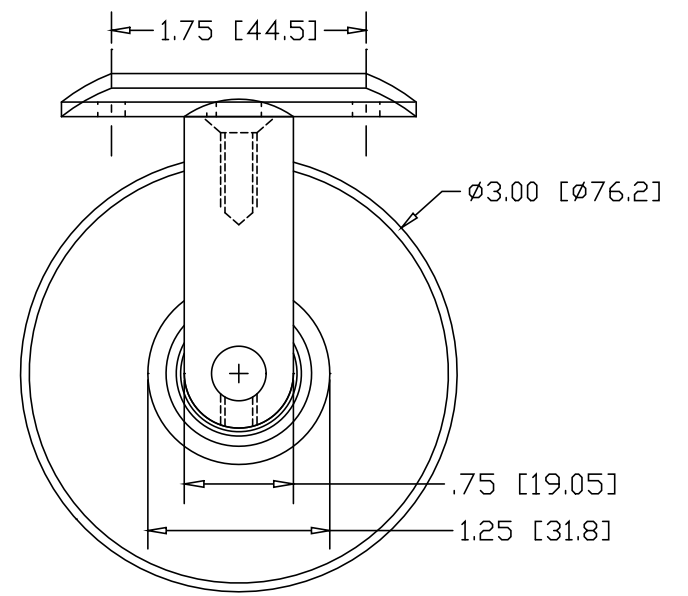
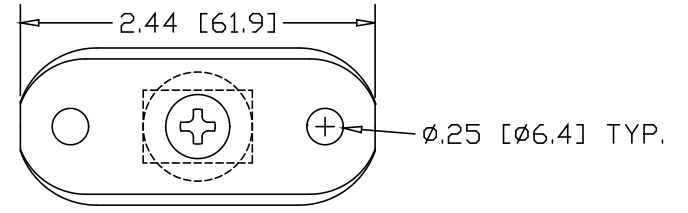
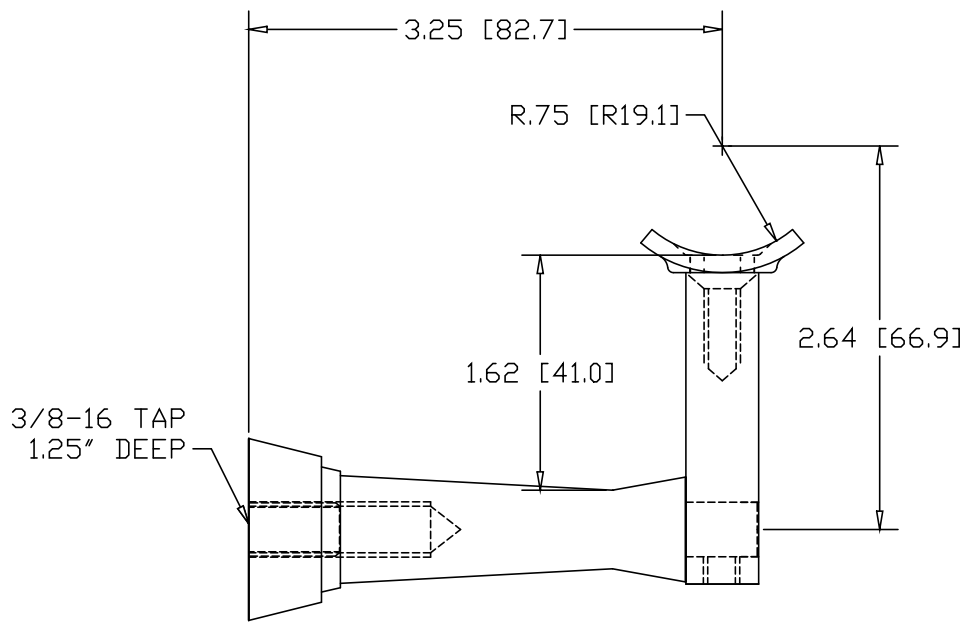
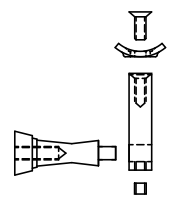


REVISIONS			
REV	DESCRIPTION	DATE	APPROVED
A	3.25 WAS 2.62	02/28/08	RJF
B	REMOVED STEP IN RS303	09/23/10	PWH



INCHES [MILLIMETERS]



EXPLODED VIEW

PART NAME		MACHINED ALUM. BRACKET, POST MOUNT KIT		
MATERIAL		360 BRASS		
DATE	1/24/07		THE WAGNER COMPANIES R & B WAGNER, INC. AND J. G. BRAUN CO.	
DRAWN BY	RDC			
FINISH	#4 SATIN	SIZE	WEIGHT	PART NUMBER
		A		MB4302P
				REV B