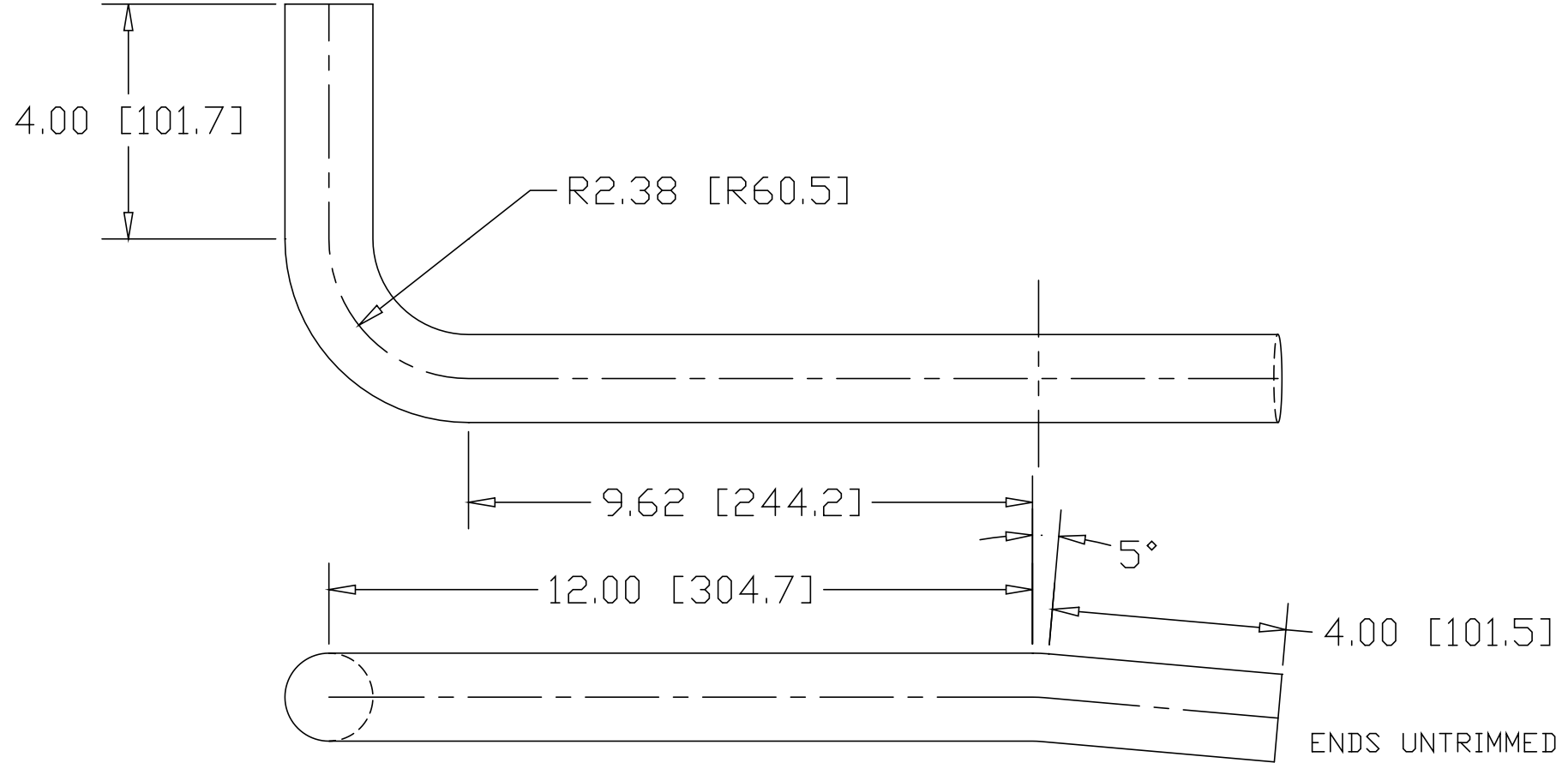


| REVISIONS |             |      |          |
|-----------|-------------|------|----------|
| REV       | DESCRIPTION | DATE | APPROVED |
|           |             |      |          |


ENDS UNTRIMMED



DL = 21.57"

INCHES [MILLIMETERS]

ENDS UNTRIMMED

|           |          |   |   |             |          |     |  |
|-----------|----------|---|---|-------------|----------|-----|--|
| PART NAME |          | RAIL END 5° RIGHT HAND  |   |             |          |     |  |
| MATERIAL  |          | 1-1/2"OD .120wall STEEL TUBE  |   |             |          |     |  |
| DATE      | 03/28/07 |  | <b>THE WAGNER COMPANIES</b><br>R & B WAGNER, INC. AND J. G. BRAUN CO. |             |          |     |  |
| DRAWN BY  | RDC      |   |   |             |          |     |  |
| FINISH    | MILL     |   |   |             |          |     |  |
| SIZE      | A        | WEIGHT  | 3.18 LBS  | PART NUMBER | RE1505-R | REV |  |