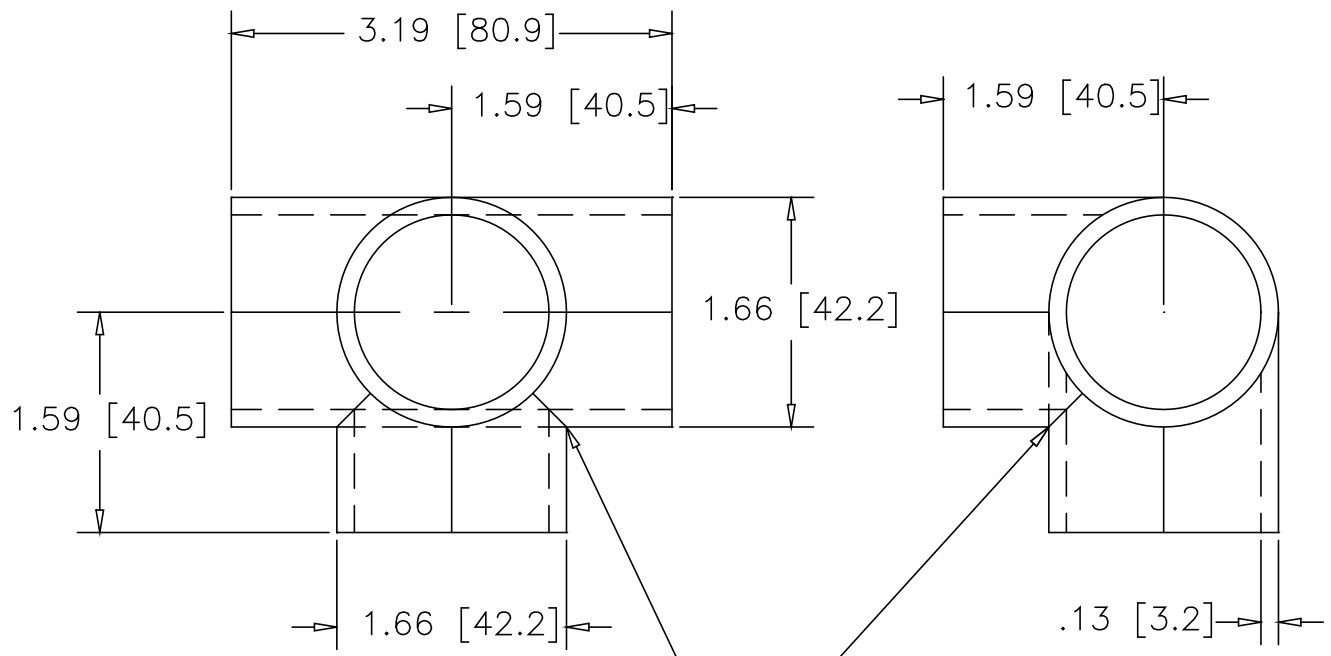



REV  
SH  
855  
DWG NO

REVISIONS			
REV	DESCRIPTION	DATE	APPROVED



(2) STUBS WELDED  
ALL AROUND

INCHES [MILLIMETERS]

PART NAME		1-1/4" STAINLESS STEEL SIDE OUTLET TEE					
MATERIAL		1-1/4" SCH40 STAINLESS STEEL PIPE ASTM A312					
DATE	10/14/94	 <b>THE WAGNER COMPANIES</b> R & B WAGNER, INC. AND J. G. BRAUN CO.					
DRAWN BY	RJF						
FINISH	MILL						
SIZE	A	WEIGHT	.66 lbs	PART NUMBER	855	REV	