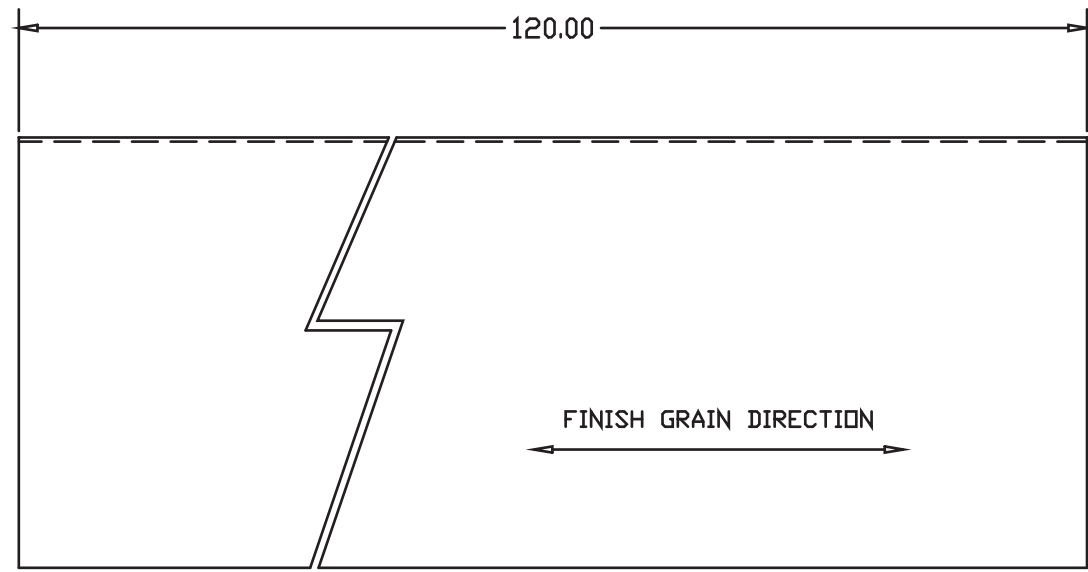
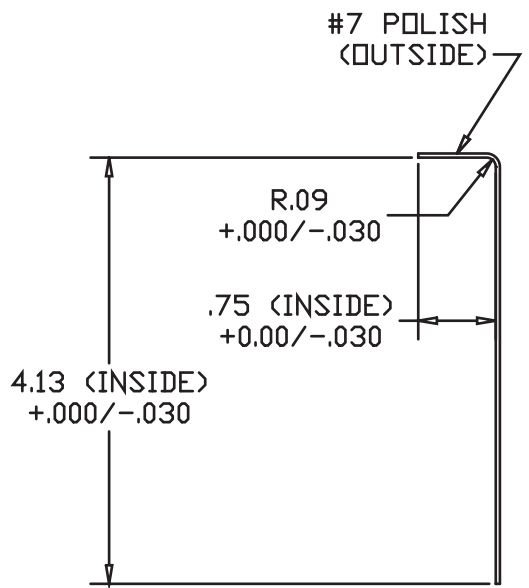


PART NUMBER GR3802.7 SH REV A

REVISIONS			
REV	DESCRIPTION	DATE	APPROVED
A	REVISED TOLERANCES	11/01/10	RJF



PART NAME		CLADDING, GLASS RAIL SHOE MOLDING		
MATERIAL		20 GA. 304 STAINLESS STEEL		
DATE	01/20/10	WAGNER	THE WAGNER COMPANIES R & B WAGNER, INC. AND J. G. BRAUN CO.	
DRAWN BY	RJF			
FINISH	#7 MIRROR	SIZE	WEIGHT	PART NUMBER
		A	5.90 LBS	GR3802.7
				REV A