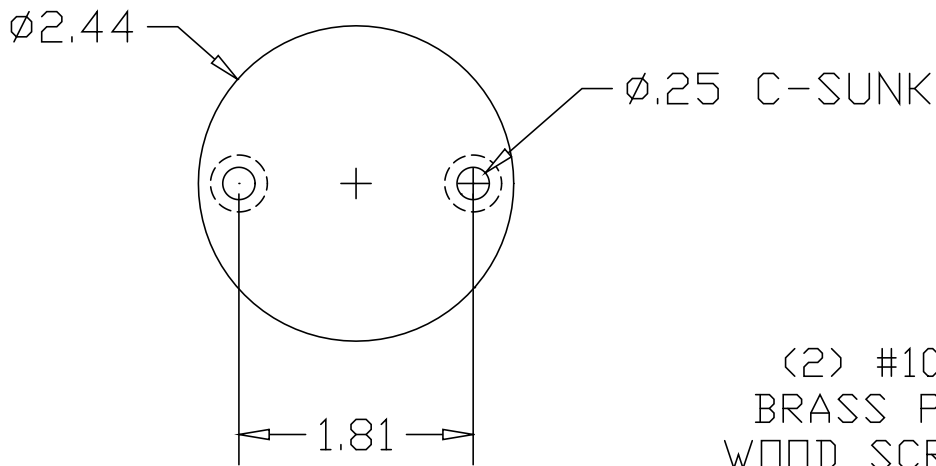
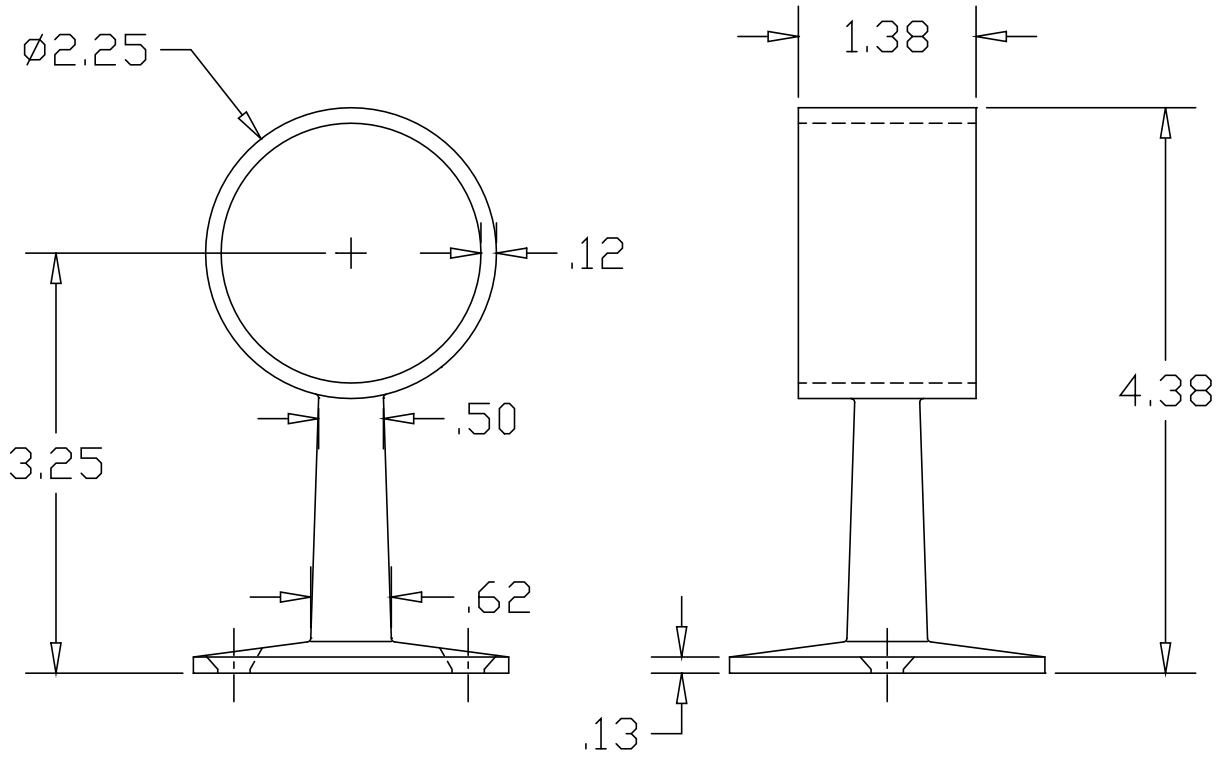



REV
SH
DWG NO 142031

REVISIONS			
REV	DESCRIPTION	DATE	APPROVED



(2) #10 X 1.75" LG.
BRASS PHILLIPS HEAD
WOOD SCREWS PROVIDED

PART NAME		BRASS FLAT BASE CENTER POST		
MATERIAL		MACHINED CAST BRASS		
DATE	6/28/11		THE WAGNER COMPANIES R & B WAGNER, INC. AND J. G. BRAUN CO.	
DRAWN BY	RDC			
FINISH	#7 BRITE			
SIZE	A	WEIGHT	PART NUMBER	142031
			REV	

