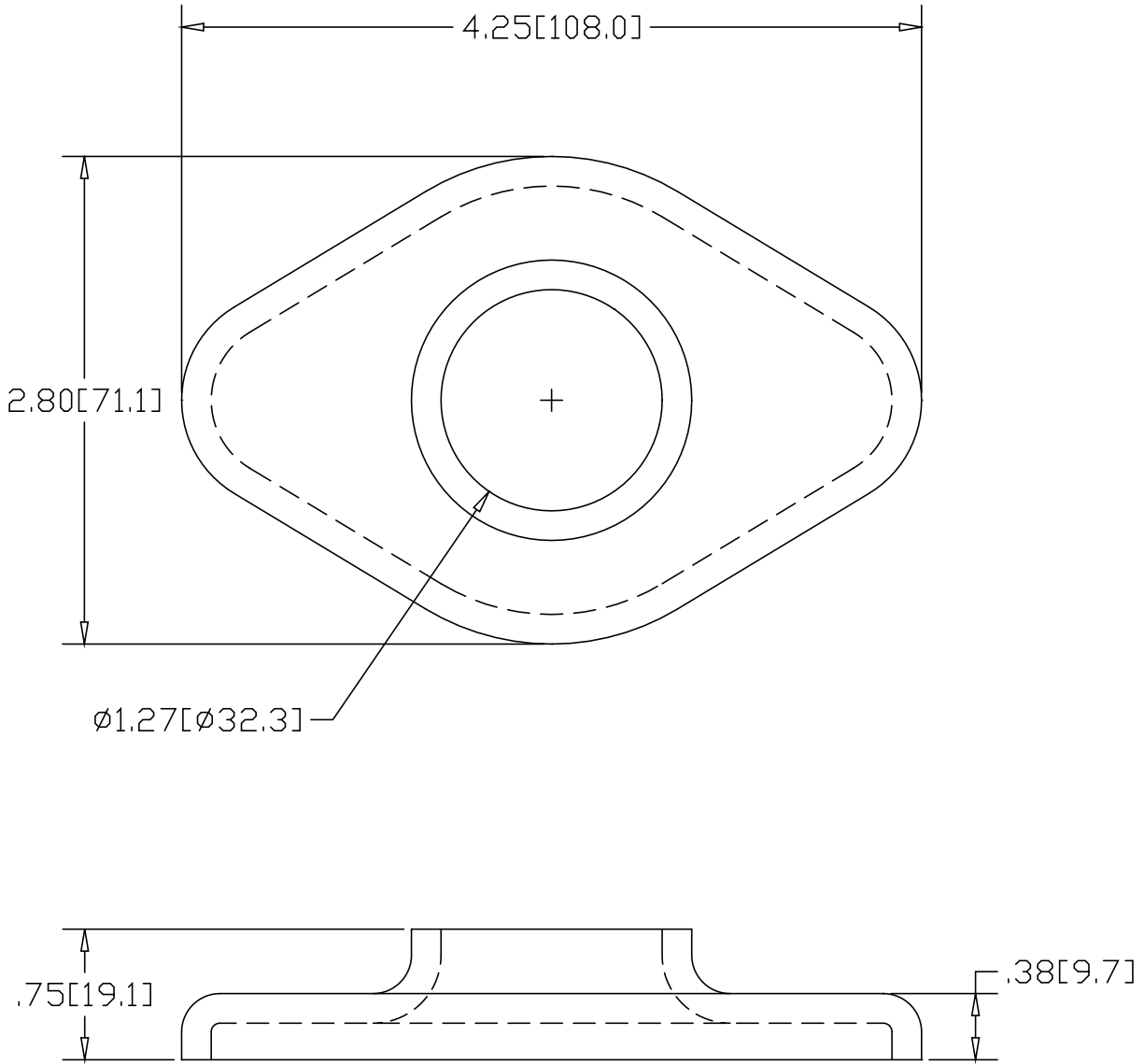



REV
SH
4910T
DWG NO

REVISIONS			
REV	DESCRIPTION	DATE	APPROVED



INCHES [MILLIMETERS]

ALTERNATE MATERIAL	PART NUMBER
.190 (3003) ALUMINUM ASTM B209	4940T
7 GA. (304) STAINLESS STEEL ASTM A240	4970T

PART NAME				1-1/4" O.D. TUBE TAPERED HEAVY BASE FLANGE			
MATERIAL				7 GA. HRP&O STEEL ASTM A569			
DATE		5/22/95		 R & B WAGNER, INC.			
DRAWN BY		RJF					
FINISH		MILL		SIZE	WEIGHT	PART NUMBER	REV
				A	.41 LBS	4910T	