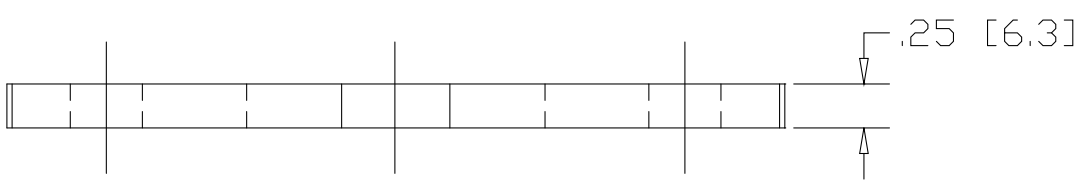
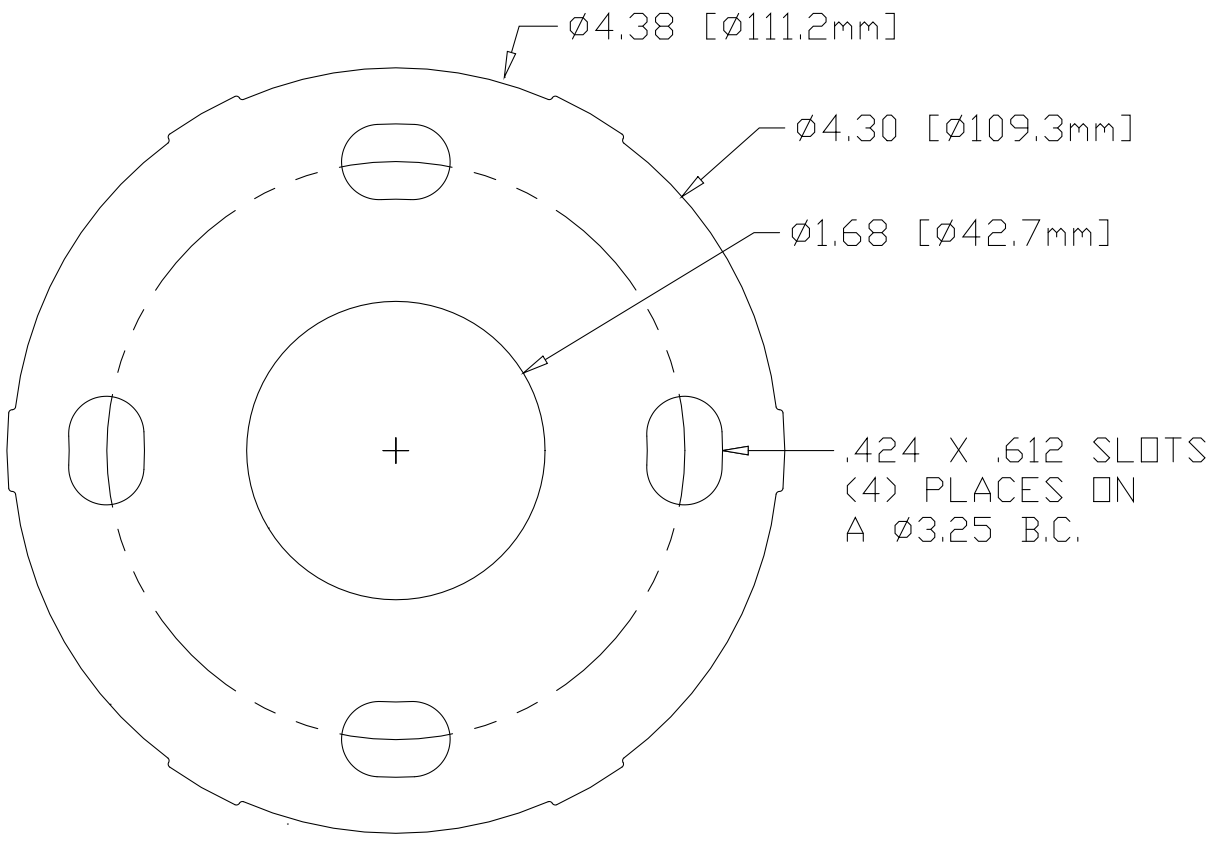



REV A
SH
DWG NO 2065B

REVISIONS			
REV	DESCRIPTION	DATE	APPROVED
A	.42 X .61 SLOTS WERE ϕ .42 HOLES	07/14/06	RJF



INCHES [MILLIMETERS]

PART NAME		4.31" DIA SNAP COVER BASE		
MATERIAL		.25 HRP&D STEEL ASTM A569		
DATE	3/8/06	 THE WAGNER COMPANIES R & B WAGNER, INC. AND J. G. BRAUN CO.		
DRAWN BY	RDC			
FINISH	MILL	SIZE	WEIGHT	PART NUMBER
		A	.84 LBS	2065B
				REV A