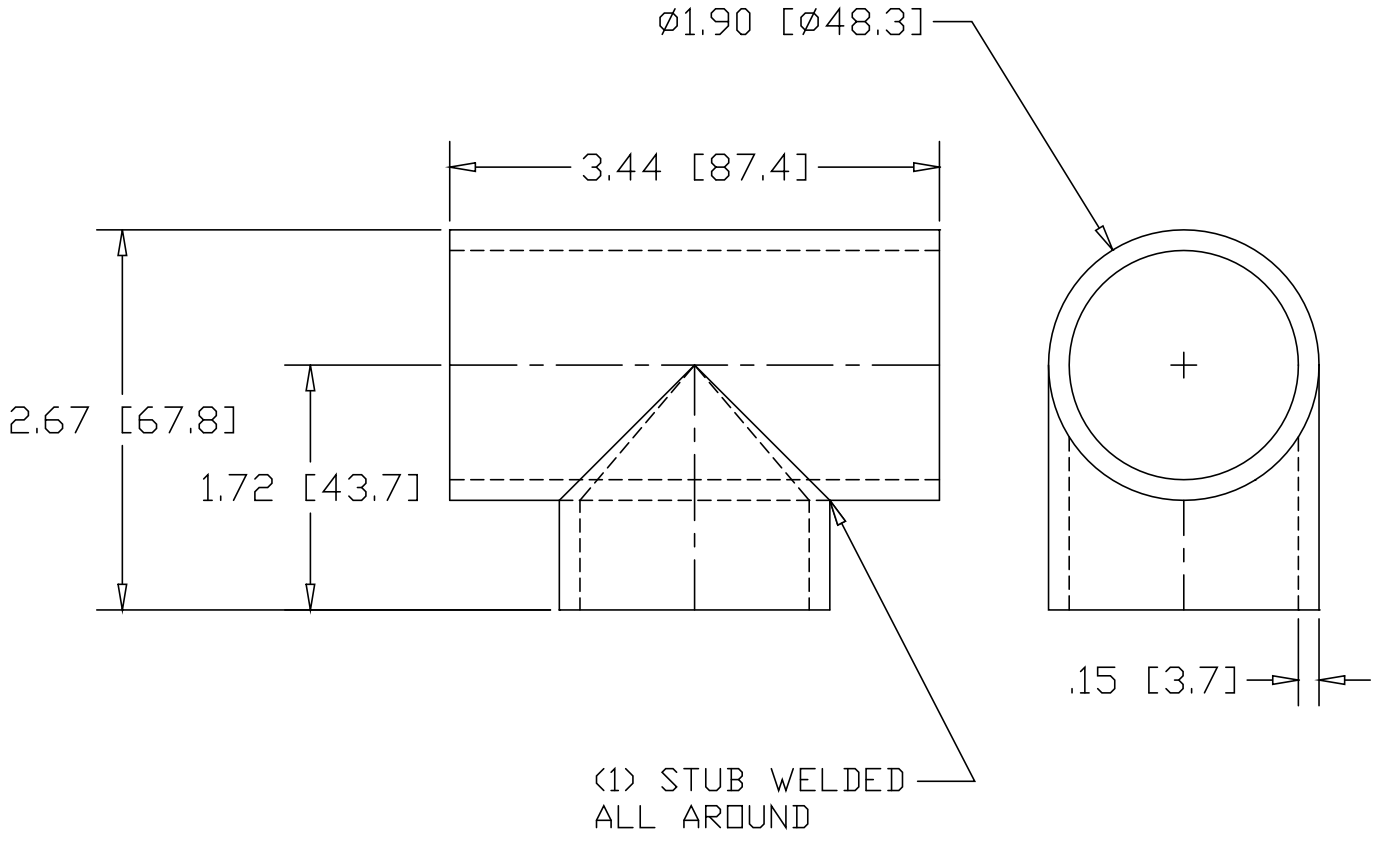



REV
SH
867
DWG NO

REVISIONS			
REV	DESCRIPTION	DATE	APPROVED



INCHES [MILLIMETERS]

PART NAME		1-1/2" S.S. TEE		
MATERIAL		1-1/2" SCH 40 S.S. PIPE		
DATE	10/27/93	 R & B WAGNER, INC.		
DRAWN BY	RJF			
FINISH	MILL	SIZE	WEIGHT	PART NUMBER
		A	1.1 lbs	867
				REV