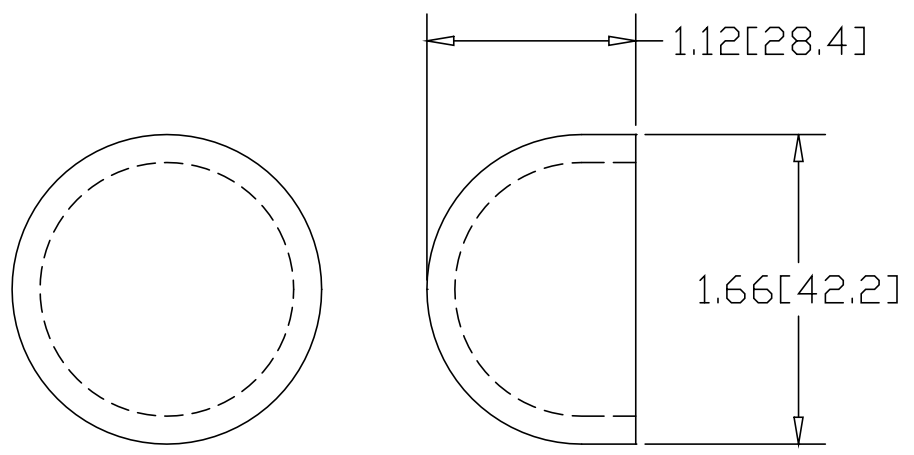
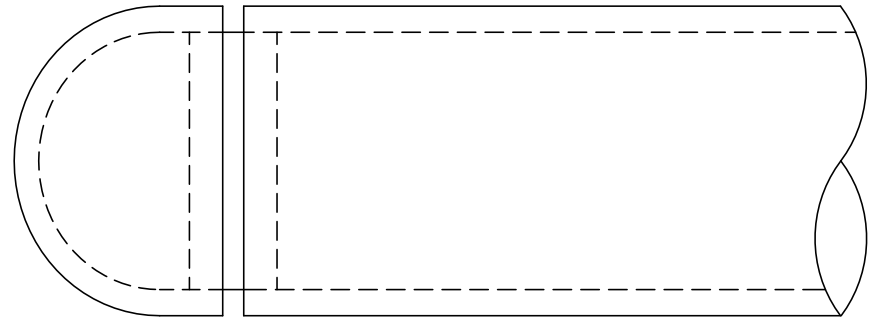
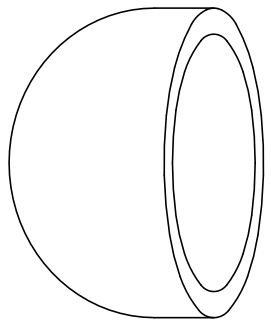



DWG NO 3219
SH
REV

REVISIONS			
REV	DESCRIPTION	DATE	APPROVED



INCHES [MILLIMETERS]

ALTERNATE MATERIAL	PART NUMBER
.125 (3003) ALUMINUM ASTM B209	3239
11 GA 304 STAINLESS STEEL ASTM A240	3259
.125 (280) MUNTZ	BZ3219

PART NAME 1-1/4" PIPE SIZE TYPE-C FLUSH WELD-ON END CAP				
MATERIAL 10 GA. HRP&D STEEL ASTM A569				
DATE 10/11/96		THE WAGNER COMPANIES R & B WAGNER, INC. AND J. G. BRAUN CO.		
DRAWN BY RJF				
FINISH MILL	SIZE A	WEIGHT .18 LBS	PART NUMBER 3219	REV