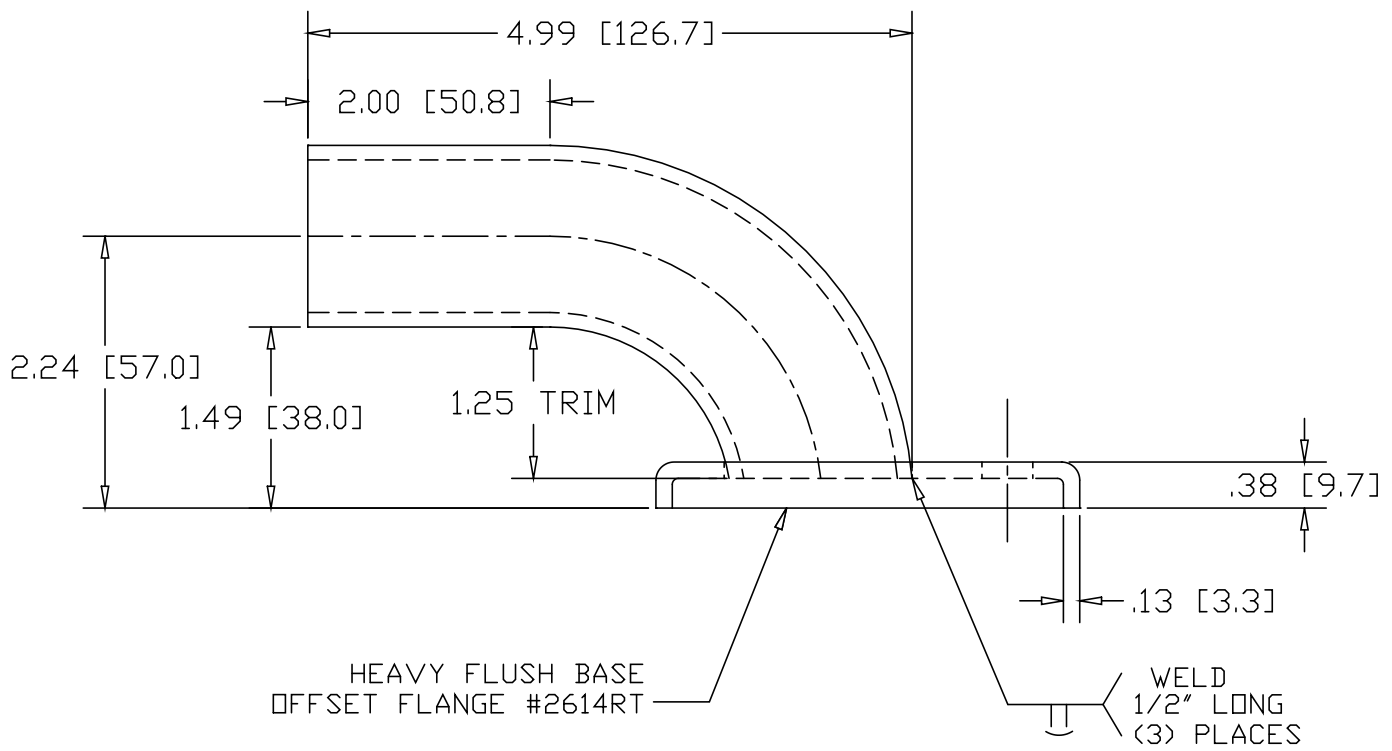
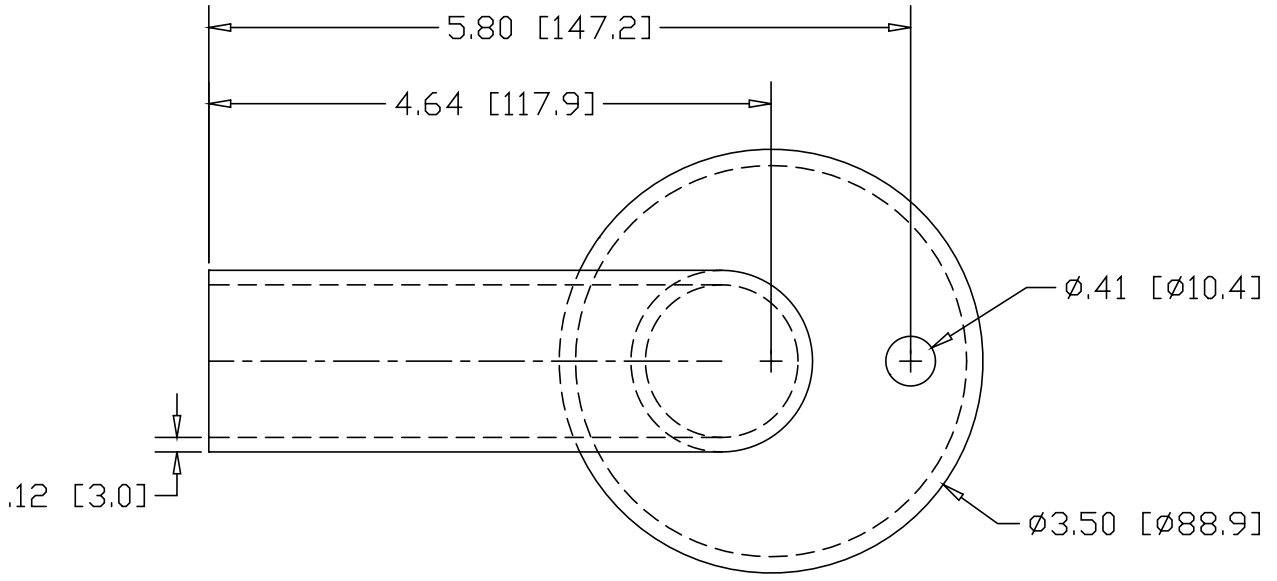


REV
SH
1152-1
DWG NO

REVISIONS			
REV	DESCRIPTION	DATE	APPROVED



INCHES [MILLIMETERS]

PART NAME		1.50" X .120W X 2.25CL WALL RETURN W/1 HOLE		
MATERIAL		304 STAINLESS STEEL ASTM A312		
DATE	12/31/02		THE WAGNER COMPANIES R & B WAGNER, INC. AND J. G. BRAUN CO.	
DRAWN BY	RJF			
FINISH	#4 SATIN	SIZE	WEIGHT	PART NUMBER
		A	1.32 LBS.	1152-1
				REV