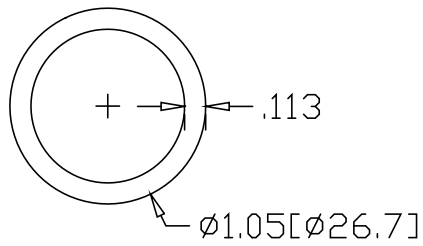
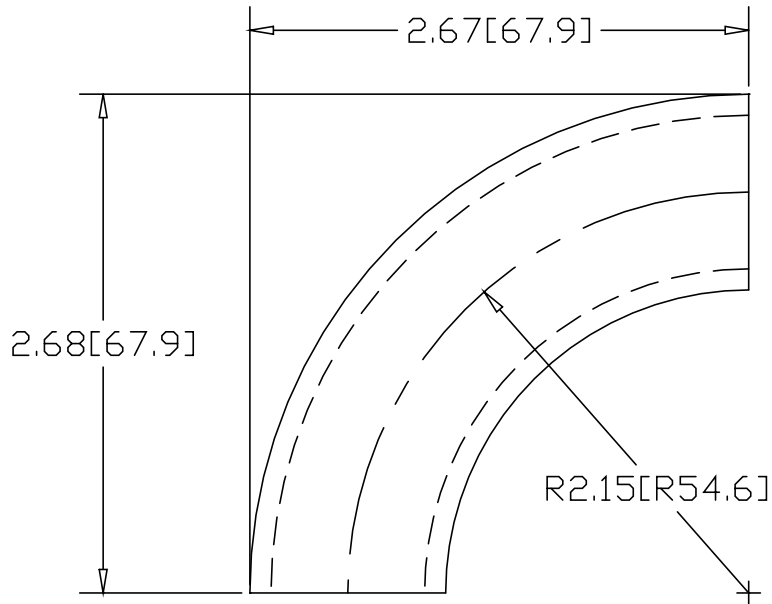



REV  
SH  
DWG NO 154-1

REVISIONS			
REV	DESCRIPTION	DATE	APPROVED



INCHES [MILLIMETERS]

ALTERNATE MATERIAL	PART NUMBER
3/4" SCH 40 (6063) ALUMINUM PIPE	164-1
3/4" SCH 40 (304) STAINLESS STEEL PIPE	174-1

PART NAME				3/4" PIPE SIZE 90° ELL X 1-5/8" I.R.	
MATERIAL				3/4" SCH 40 A53 STEEL PIPE	
DATE		8/18/95		 <b>R &amp; B WAGNER, INC.</b>	
DRAWN BY		RJF			
FINISH		MILL		SIZE	A
				WEIGHT	.30 LBS
				PART NUMBER	154-1
				REV	