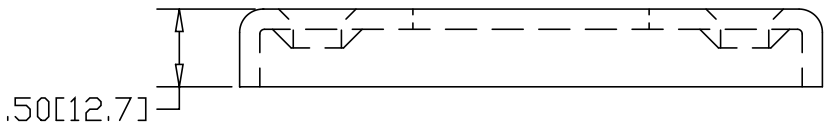
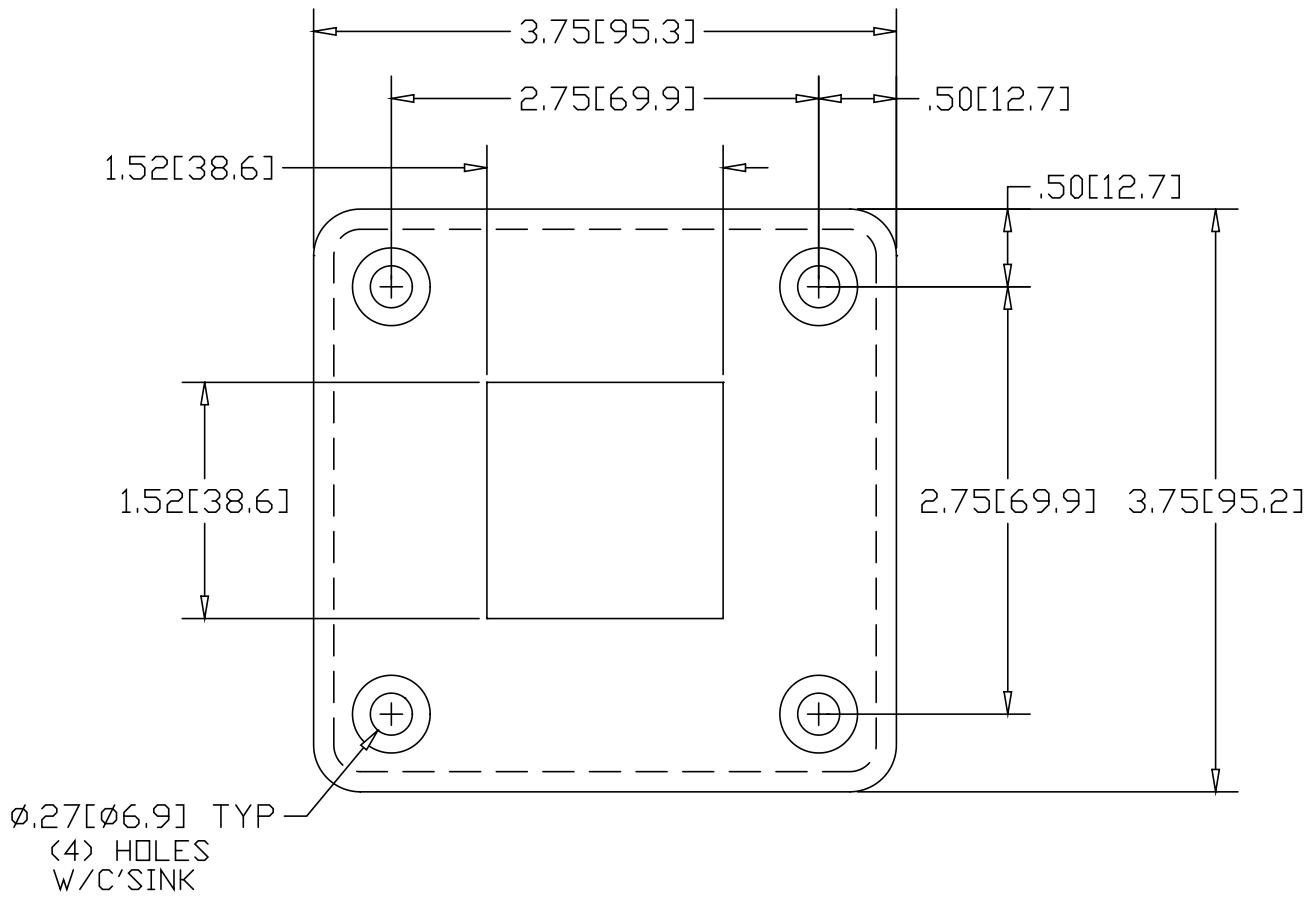



REV
SH
8723
DWG NO

REVISIONS			
REV	DESCRIPTION	DATE	APPROVED



INCHES [MILLIMETERS]

*USE WITH ANCHOR PLATE
#8727 IN STEEL
#8797 IN ALUMINUM
#8867 IN STAINLESS

ALTERNATE MATERIAL		PART NUMBER					
.125 (3003) ALUMINUM ASTM B-209		8793					
10 GA. (304) STAINLESS STEEL ASTM A240		8863					
PART NAME 1-1/2" SQUARE TUBE HFB FLANGE W/(4) HOLES							
MATERIAL 10 GA. HRP&D STEEL ASTM A-569							
DATE	6/20/95	 R & B WAGNER, INC.					
DRAWN BY	RJF						
FINISH	MILL						
SIZE	A	WEIGHT	.56 LBS	PART NUMBER	8723	REV	