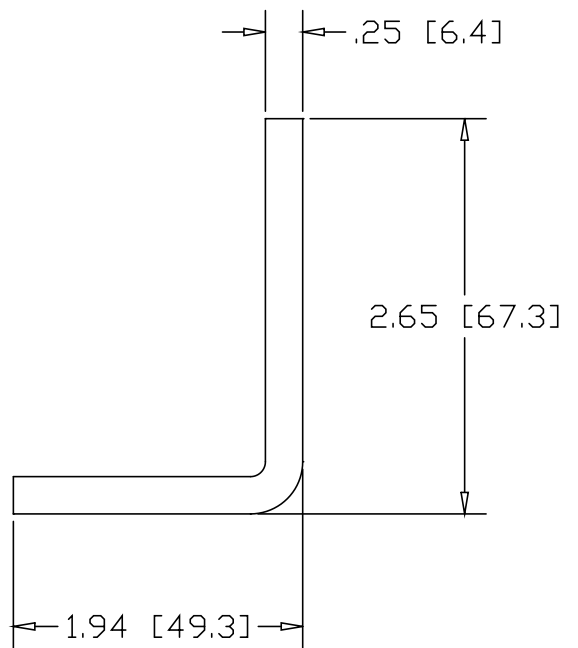
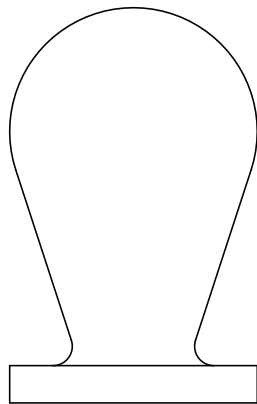
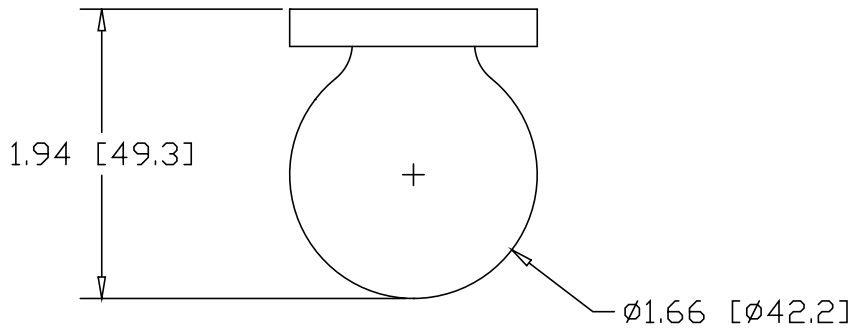



REV
SH
DWG NO 5020NH

REVISIONS			
REV	DESCRIPTION	DATE	APPROVED



PART NAME		1-1/4" WELD-ON POST BRACKET, NO HOLE					
MATERIAL		.250 HRP&Q STEEL ASTM A569					
DATE	9/12/03	 THE WAGNER COMPANIES R & B WAGNER, INC. AND J. G. BRAUN CO.					
DRAWN BY	RJF						
FINISH	MILL						
SIZE	A	WEIGHT	.38 LBS	PART NUMBER	5020NH	REV	