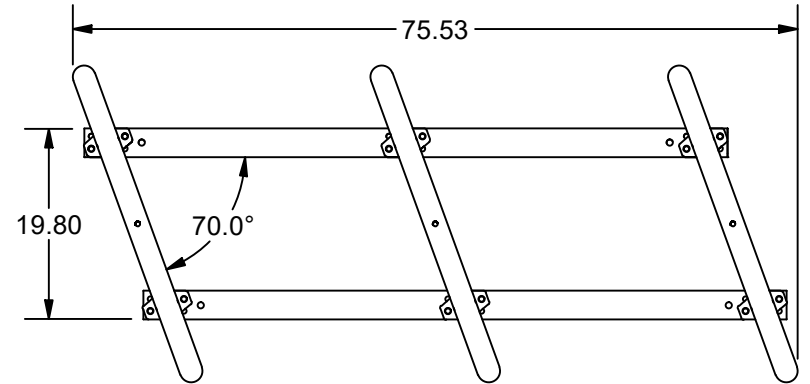
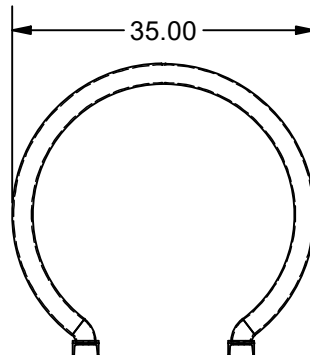
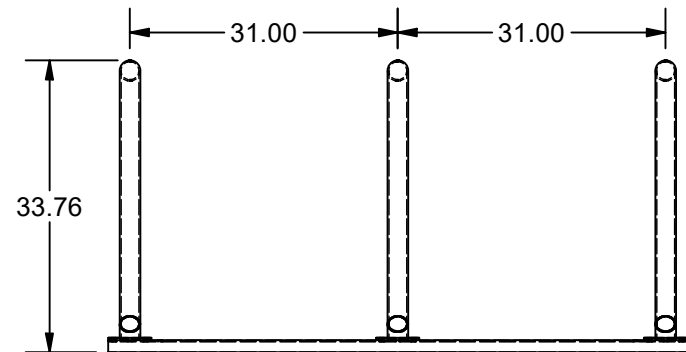
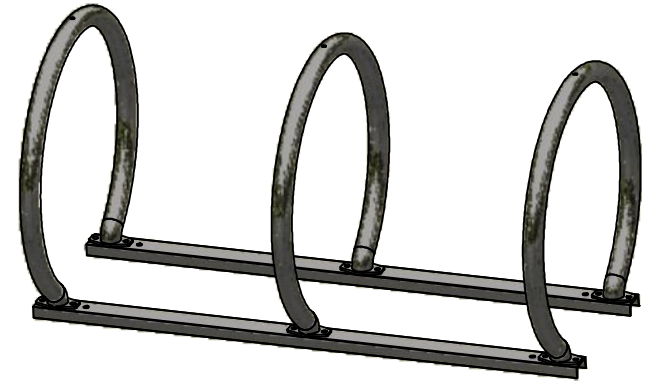
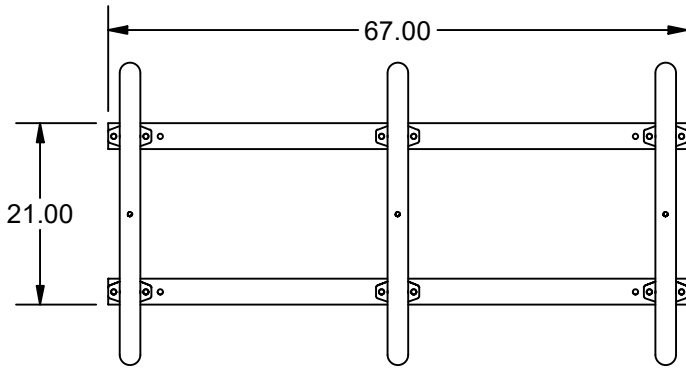




Parts List

| ITEM | QTY | PART NUMBER | DESCRIPTION                |
|------|-----|-------------|----------------------------|
| 1    | 2   | BRRAIL3     | BIKE RACK RAIL, 3 POSITION |
| 2    | 3   | BRC         | BIKE RACK, CIRCLE          |



OPTIONAL ANGLE MOUNT,  
LEFT OR RIGHT.

|          |                    |                           |            |             |
|----------|--------------------|---------------------------|------------|-------------|
| NAME     |                    | BIKE RACK, TRIPLE CIRCLE  |            |             |
| MATERIAL |                    | 2" SCH 40 STEEL PIPE      |            |             |
| DATE     | 6/2/2021           | COLLABORATIVE METAL WORKS |            |             |
| DRAWN    | RJF                |                           |            |             |
| FINISH   | HOT DIP GALVANIZED | SIZE                      | WEIGHT     | PART NUMBER |
|          |                    | A                         | 119.37 LBS | BRC-3       |
|          |                    |                           |            | REV         |

