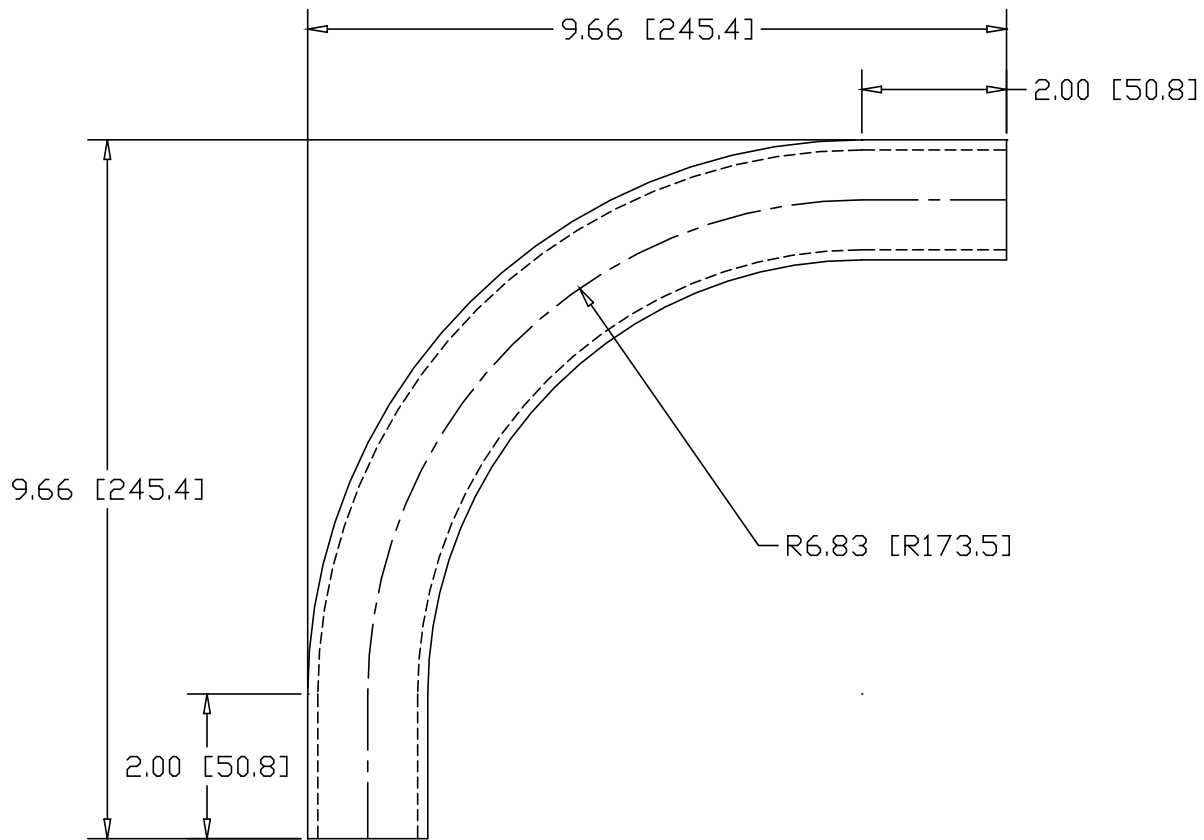


REV
SH
7469
DWG NO

REVISIONS			
REV	DESCRIPTION	DATE	APPROVED



INCHES [MILLIMETERS]

ALTERNATE MATERIAL	PART NUMBER
1-1/4" SCH 40 (6063) ALUMINUM PIPE	7489
1-1/4" SCH 40 (304) STAINLESS STEEL PIPE	7509

PART NAME 1-1/4" PIPE SIZE 90° ELL X 6" I.R. W/ (2) 2" TANGENTS			
MATERIAL 1-1/4" SCH 40 A53 STEEL PIPE			
DATE 7/05/01			
DRAWN BY JAH			
FINISH MILL			
SIZE A	WEIGHT 2.79 LBS	PART NUMBER 7469	REV