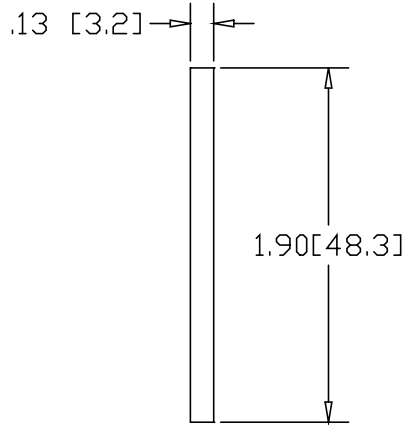
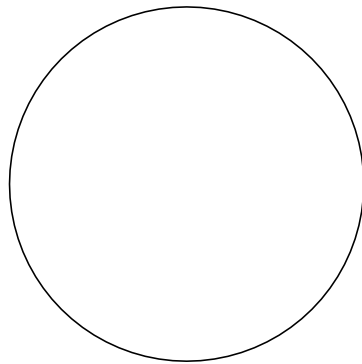
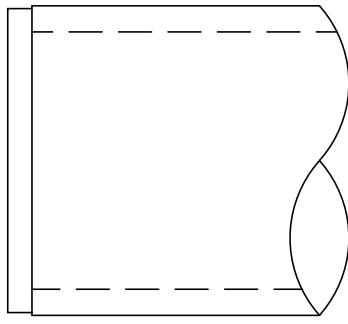
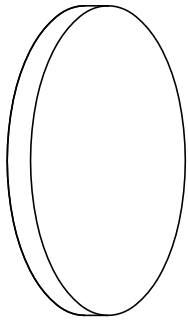



REV
SH
DWG NO
D075

REVISIONS			
REV	DESCRIPTION	DATE	APPROVED



INCHES [MILLIMETERS]

ALTERNATE MATERIAL	PART NUMBER
.125 (3003) ALUMINUM ASTM B209	D076
10 GA. (304) STAINLESS STEEL ASTM A240	D077
.125 (260) BRASS ASTM B19,B36	D078

PART NAME				1-1/2" PIPE SIZE TYPE-D WELD-ON DISK				
MATERIAL				10 GA. HRP&D STEEL ASTM A569				
DATE	10/11/96			THE WAGNER COMPANIES R & B WAGNER, INC. AND J. G. BRAUN CO.				
DRAWN BY	RJF							
FINISH	MILL	SIZE	A	WEIGHT	.09 LBS	PART NUMBER	D075	
							REV	