

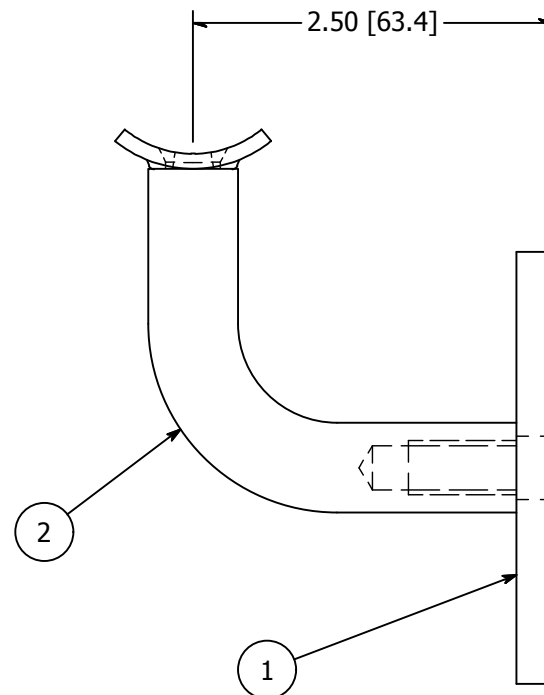
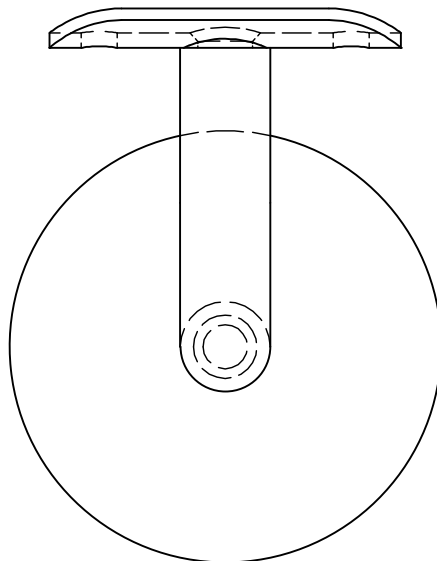
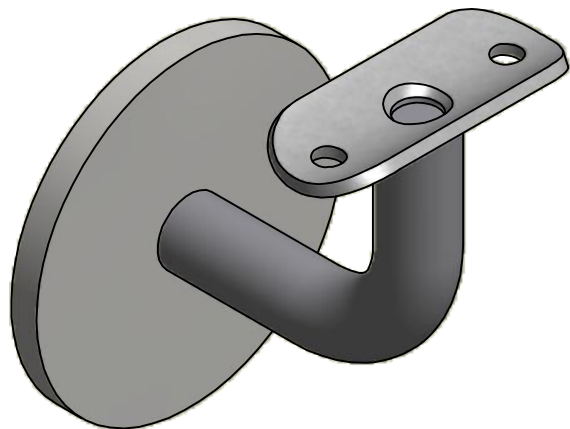
2



1

PARTS LIST

ITEM	QTY	PART NUMBER	DESCRIPTION
1	1	D143-.44CH	3" Round Backing Disk for Wall Mount
2	1	RB14125P	Handrail Bar Bend, ST, 5/8 Inch Diameter, 2-1/4 Inch From Post To Center




B

B



A

A

TOLERANCE FRACTION: X/XX..... = ± 1/16" over 4ft. 16 FT RAIL EXAMPLE: 16 FT / 4 FT = 4 * 1/16" = 1/4" 16 FT RAIL..... = ± 1/4" DECIMAL: X.XX..... = ± .030 X.XXX..... = ± .010 UNLESS OTHERWISE NOTED	FINISH:	DESCRIPTION: Handrail Bracket, ST, 5/8 In Dia Bar Bend, 2-1/2 Inch From Wall To Center			
	MILL	MATERIAL: STEEL	CUSTOMER NAME:		
	WEIGHT: 0.88 lbmass	DATE: 5/8/2014	 THE WAGNER COMPANIES R & B WAGNER, INC. AND J. G. BRAUN CO.		
	SIZE: A	DRAWN BY: K. Turdo			
		ITEM NUMBER: RB14125	SHEET: 1 OF 1	DRAWING NUMBER: RB14125	REV: -

2



1