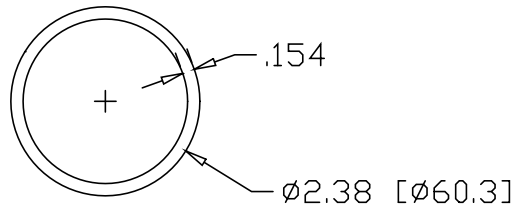
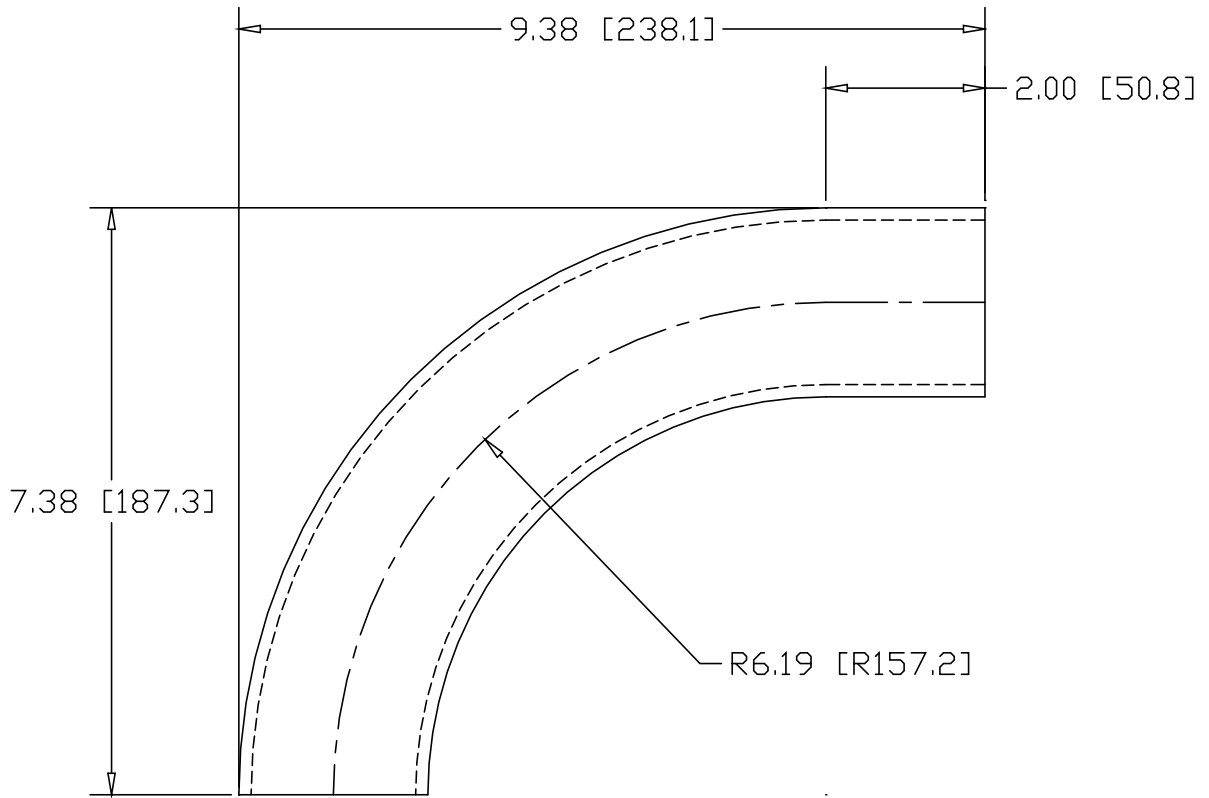



REV
SH
7188
DWG NO

| REVISIONS | | | |
|-----------|-------------|------|----------|
| REV | DESCRIPTION | DATE | APPROVED |



INCHES [MILLIMETERS]

| ALTERNATE MATERIAL | PART NUMBER |
|--------------------------------------|-------------|
| 2" SCH 40 (6063) ALUMINUM PIPE | 7208 |
| 2" SCH 40 (304) STAINLESS STEEL PIPE | 7228 |

| | | | |
|--|---|--------------------|-----------------|
| PART NAME 2" PIPE SIZE 90° ELL X 5" I.R. W/ (1) 2" TANGENT | | | |
| MATERIAL 2" SCH 40 A53 STEEL PIPE | | | |
| DATE 7/02/01 |  | R & B WAGNER, INC. | |
| DRAWN BY JAH | | SIZE A | WEIGHT 3.57 LBS |
| FINISH MILL | | PART NUMBER 7188 | REV |