

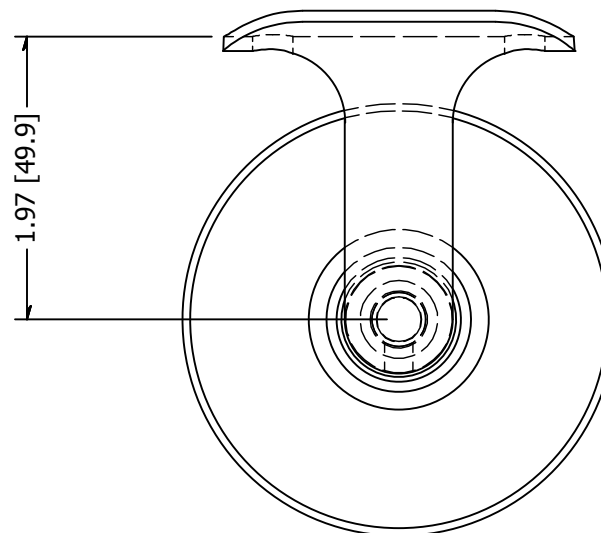
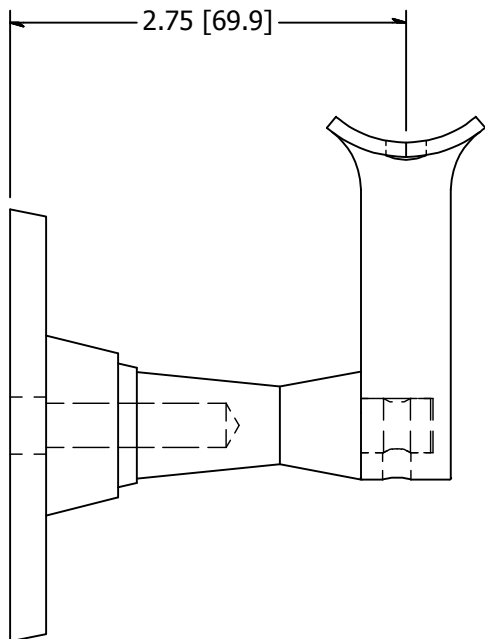
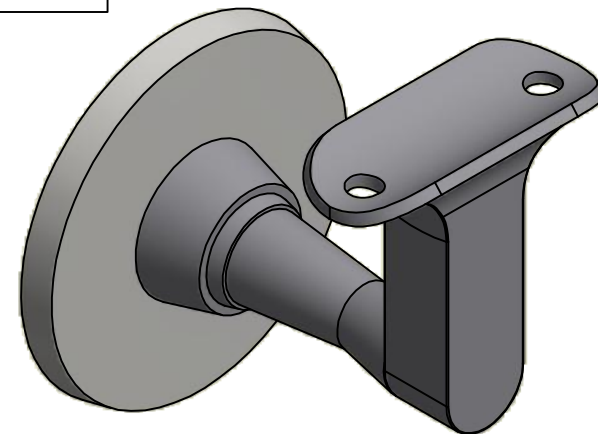
2




1

PARTS LIST

ITEM	QTY	PART NUMBER	DESCRIPTION
1	1	MB3250P	Handrail Bracket, SS, Post Mount, 2-1/2 Inch From Post to Center of Handrail
2	1	DS901	3" Round Backing Disk for Wall Mount



<b>TOLERANCE</b> FRACTION: X/XX..... = ± 1/16" over 4ft. 16 FT RAIL EXAMPLE: 16 FT / 4 FT = 4 * 1/16" = 1/4" 16 FT RAIL..... = ± 1/4"  DECIMAL: X.XX..... = ± .030 X.XXX..... = ± .010  UNLESS OTHERWISE NOTED	FINISH:	DESCRIPTION: Handrail Bracket, SS, Wall Mount, 2-3/4 Inch From Wall to Center, Kit							
	#4	MATERIAL:	316 Stainless	CUSTOMER NAME:					
	WEIGHT:	1.17 lbmass	DATE:	10/21/2013	 <b>THE WAGNER COMPANIES</b> R & B WAGNER, INC. AND J. G. BRAUN CO.				
	SIZE:	A	DRAWN BY:	K. Turdo					
		ITEM NUMBER:	MB3250W	SHEET:	1 OF 1	DRAWING NUMBER:	MB3250W	REV:	-

2



1