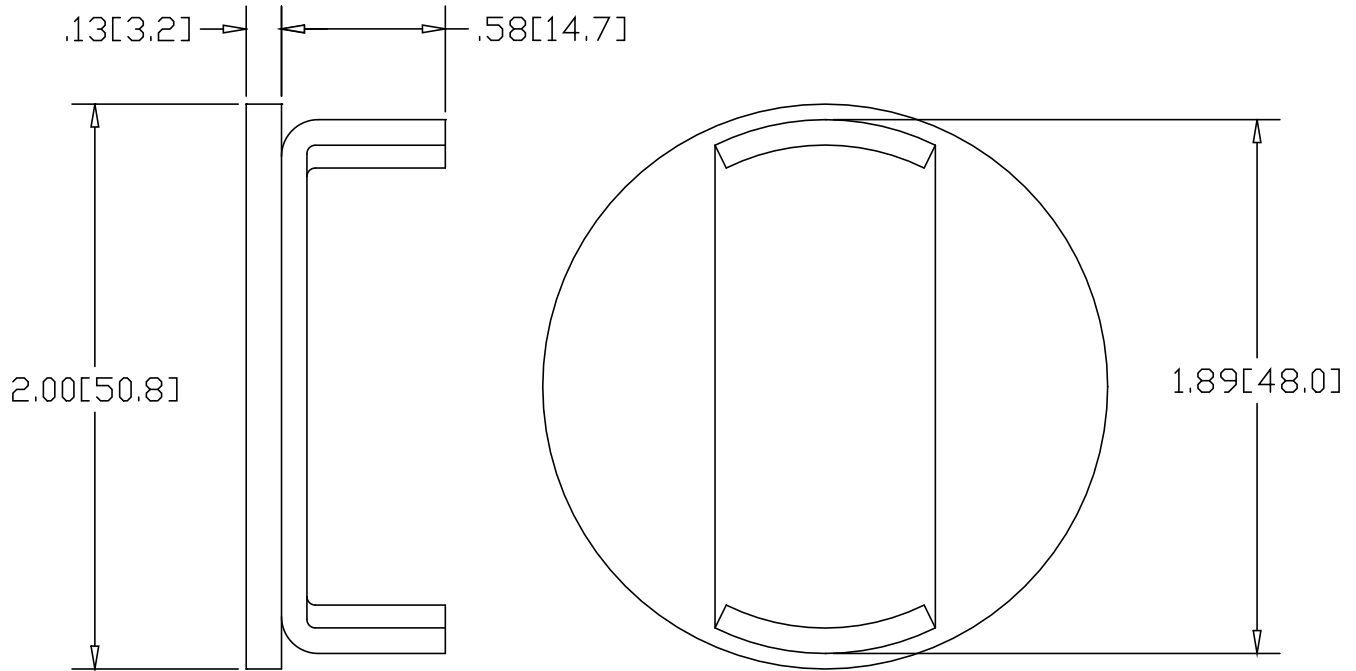


REV  
SH  
DWG NO D090E.5

| REVISIONS |             |      |          |
|-----------|-------------|------|----------|
| REV       | DESCRIPTION | DATE | APPROVED |



INCHES [MILLIMETERS]

| ALTERNATE MATERIAL                     | PART NUMBER |
|--|-------------|
| .125 (3003) ALUMINUM ASTM B209         | D091E.5     |
| 10 GA. (304) STAINLESS STEEL ASTM A240 | D092E.5     |

|   |        |  |                     |     |
|---|--------|--|---------------------|-----|
| PART NAME 2" O.D. X .065W TUBE TYPE "E" DRIVE-ON DISK |        |  |                     |     |
| MATERIAL 10 GA. HRP&O STEEL ASTM A569                 |        |  |                     |     |
| DATE 6/13/96  |        | THE WAGNER COMPANIES<br>R & B WAGNER, INC. AND J. G. BRAUN CO. |                     |     |
| DRAWN BY RJF  |        |  |                     |     |
| FINISH MILL   | SIZE A | WEIGHT .16 LBS   | PART NUMBER D090E.5 | REV |