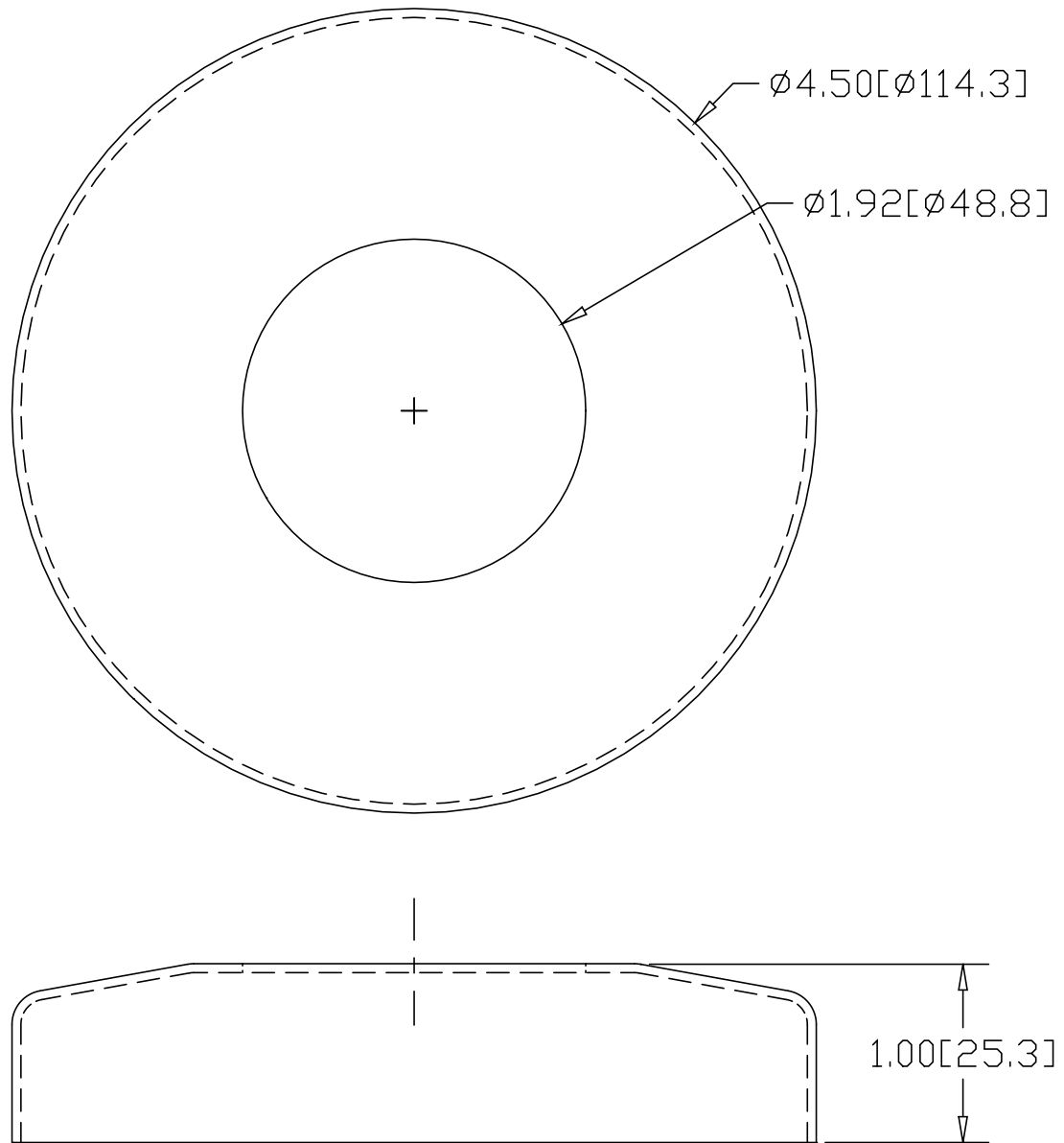


REV
SH
DWG NO 2077.316


REVISIONS			
REV	DESCRIPTION	DATE	APPROVED



INCHES [MILLIMETERS]

* USE WITH BASE
#2077B.316 IN STAINLESS

ALTERNATE MATERIAL	PART NUMBER

PART NAME		1-1/2" PIPE SNAP COVER			
MATERIAL		18 GA. (316) STAINLESS STEEL A240			
DATE	4/25/08	 R & B WAGNER, INC.			
DRAWN BY	RDC				
FINISH	MILL	SIZE	WEIGHT	PART NUMBER	REV
		A	.29 LBS	2077.316	