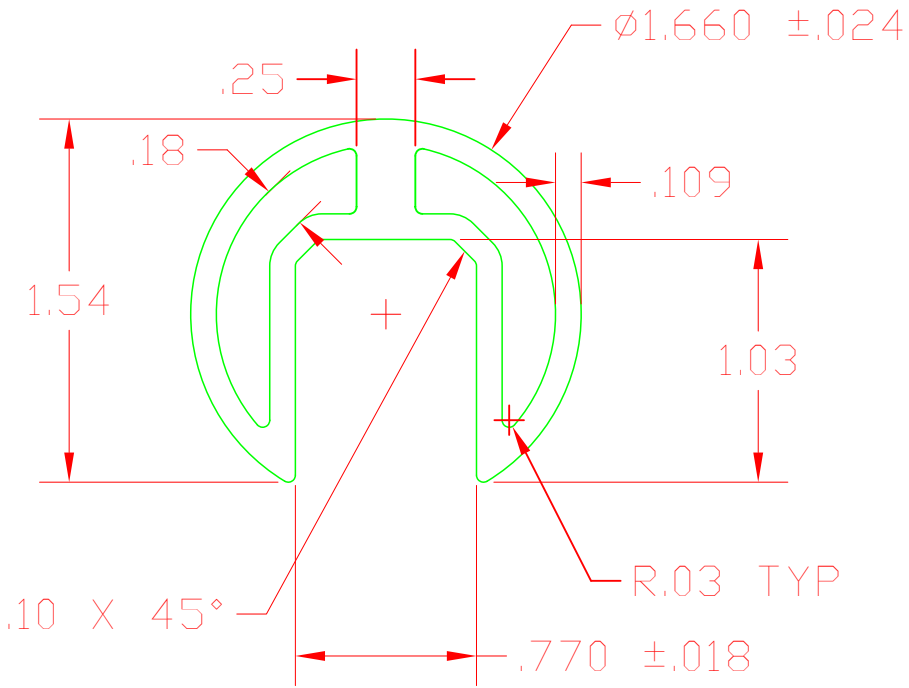



REV I  
SH  
DWG NO GR2168

REVISIONS			
REV	DESCRIPTION	DATE	APPROVED
1	RELEASED FROM EXP099A	01/27/10	PWH



\*UNLESS OTHERWISE SPECIFIED, TOLERANCES ON THIS DRAWING PER ANSI H35.2-2009

PART NAME		1-1/4" PIPE SIZE EXTRUDED CAP RAIL	
MATERIAL		6063 T-52 ALUMINUM	
DATE	04/29/09	 <b>THE WAGNER COMPANIES</b> R & B WAGNER, INC. AND J. G. BRAUN CO.	
DRAWN BY	PWH		
FINISH	EXTRUDED		
SIZE	A	WEIGHT	
PART NUMBER		GR2168	
REV		1	