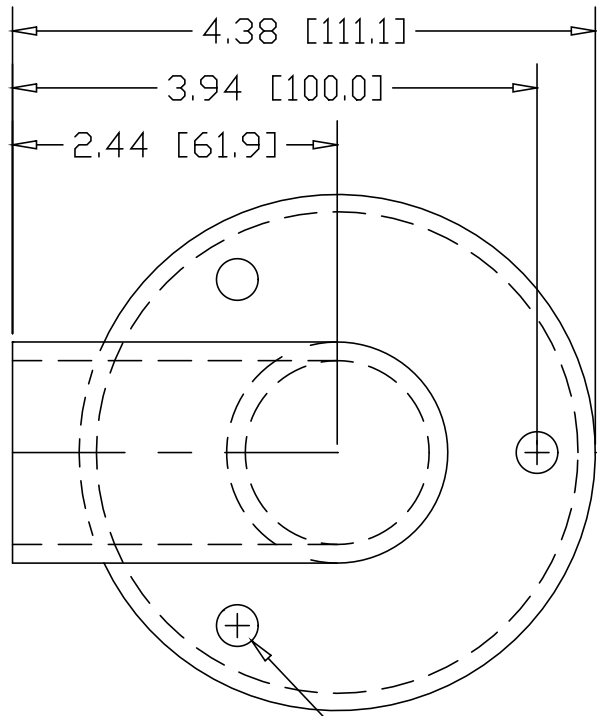
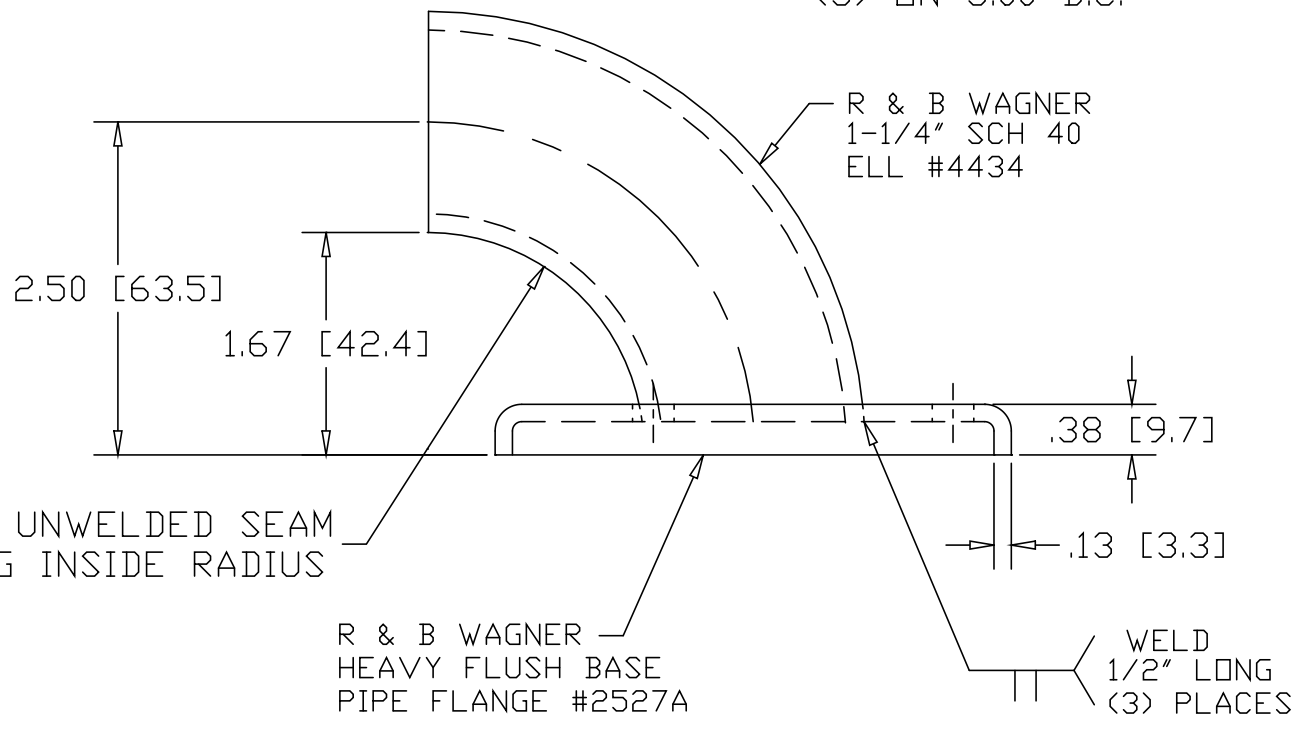


REV
SH
1100-3
DWG NO

REVISIONS			
REV	DESCRIPTION	DATE	APPROVED



Ø.31 [Ø7.9]
(3) ON 3.00 B.C.



NOTE: UNWELDED SEAM
ALONG INSIDE RADIUS

R & B WAGNER
HEAVY FLUSH BASE
PIPE FLANGE #2527A

R & B WAGNER
1-1/4" SCH 40
ELL #4434

WELD
1/2" LONG
(3) PLACES

INCHES [MILLIMETERS]

PART NAME 1-1/4" PIPE SIZE X 2.50CL WALL RETURN W/3 HOLES			
MATERIAL ASTM A569 - STEEL			
DATE	6/3/93		THE WAGNER COMPANIES R & B WAGNER, INC. AND J. G. BRAUN CO.
DRAWN BY	RJF		
FINISH	MILL		
SIZE	A	WEIGHT	1.04 LBS.
PART NUMBER		1100-3	
REV			