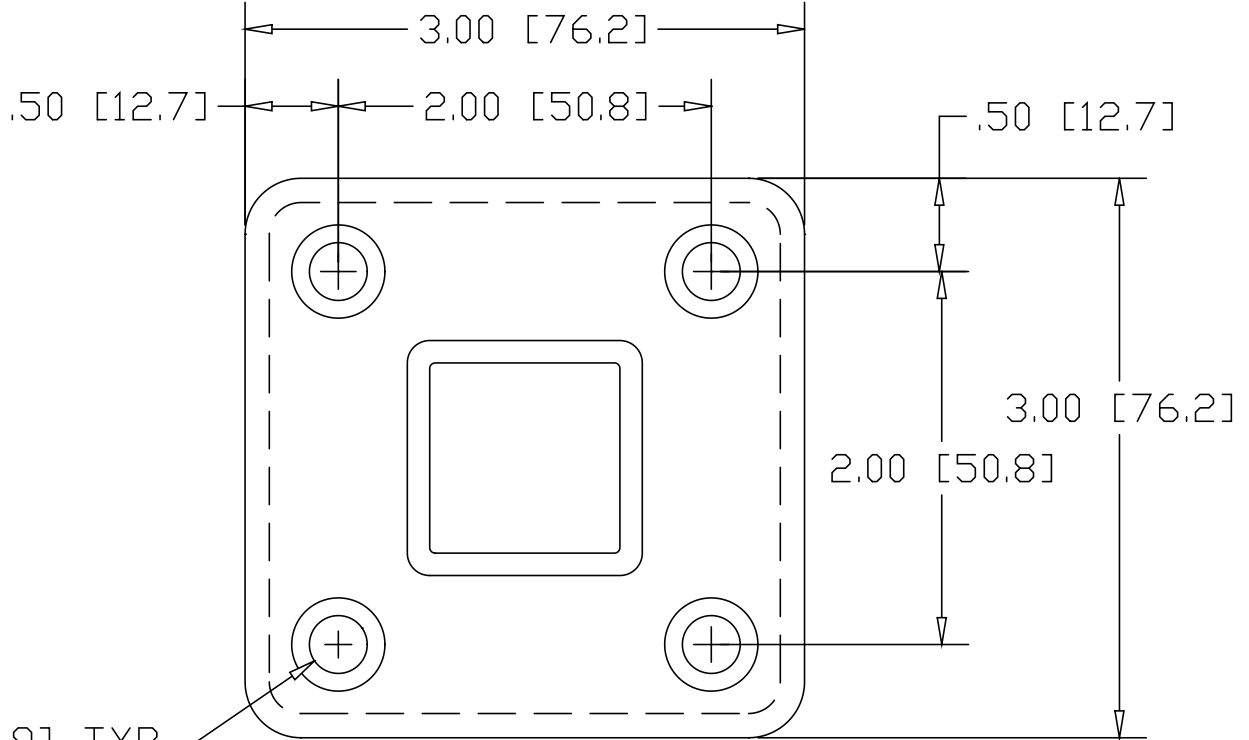
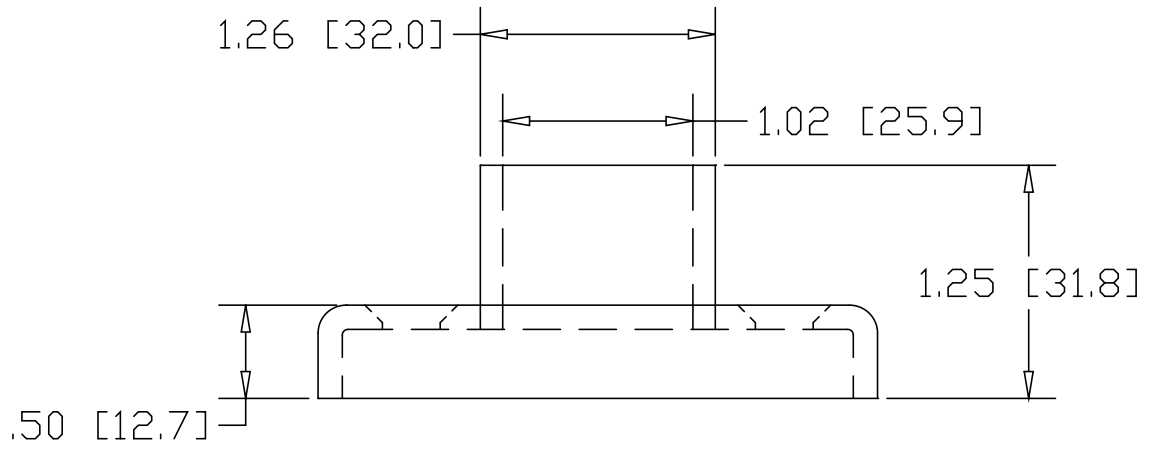


REV
SH
8902
DWG NO

REVISIONS			
REV	DESCRIPTION	DATE	APPROVED




∅.31 [∅7.9] TYP WITH C'SINK



INCHES [MILLIMETERS]

*USE WITH ANCHOR PLATE #8706 IN STEEL AND #8776 IN ALUM.

ALTERNATE MATERIAL	PART NUMBER
.125 (3003) ALUMINUM ASTM B209	8926

PART NAME				1" SQ. TUBE SOCKET FLANGE W/⟨4⟩ HOLES					
MATERIAL				10 GA. HRP&D STEEL ASTM A569					
DATE		1/15/93		 THE WAGNER COMPANIES R & B WAGNER, INC. AND J. G. BRAUN CO.		REV			
DRAWN BY		RJF				PART NUMBER		8902	
FINISH		MILL				WEIGHT		.51 LBS	