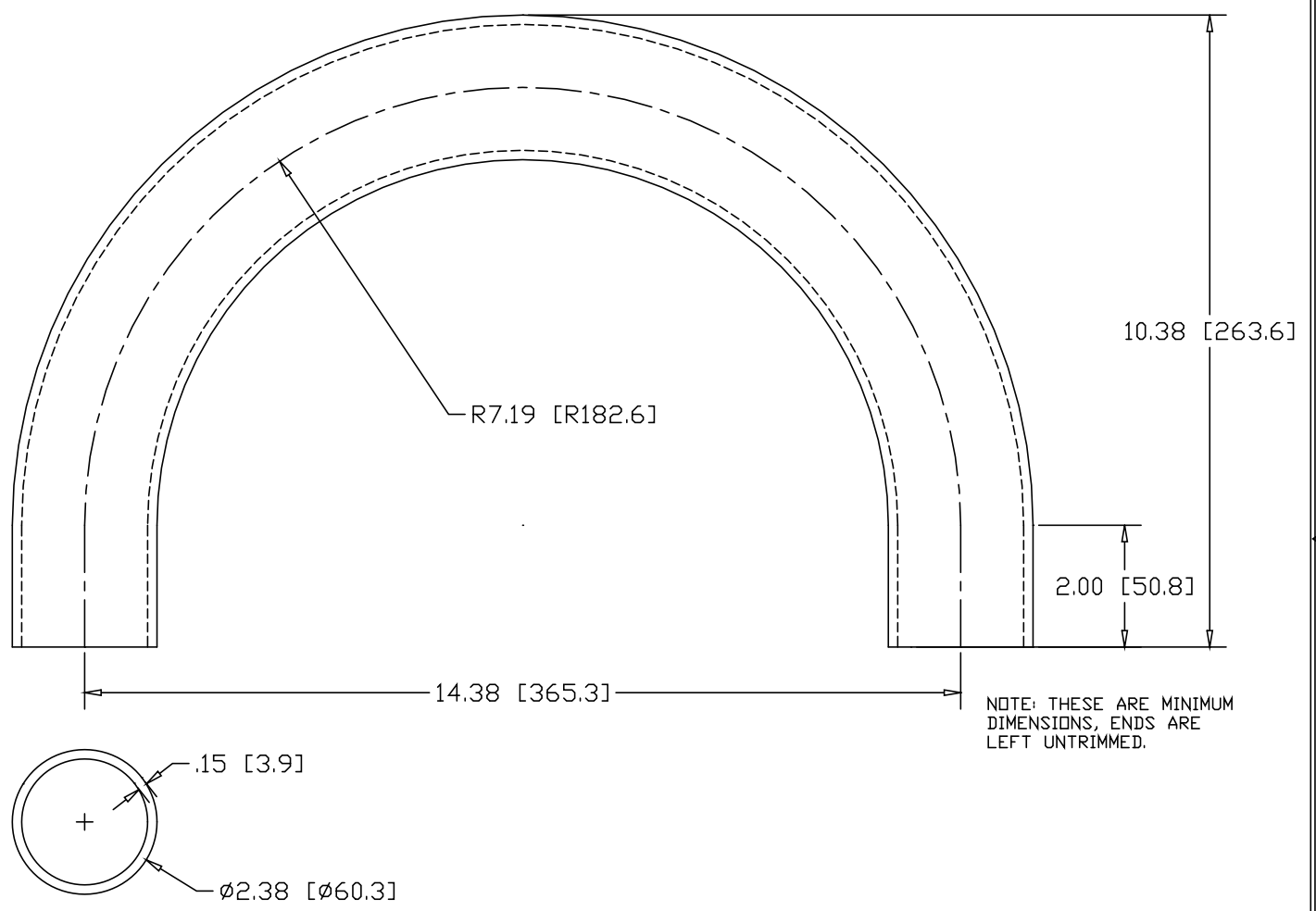


REV
SH
7594B
DWG NO

REVISIONS			
REV	DESCRIPTION	DATE	APPROVED



INCHES [MILLIMETERS]

ALTERNATE MATERIAL	PART NUMBER
2" SCH 40 (6063) ALUMINUM PIPE	7614B
2" SCH 40 (304) STAINLESS STEEL PIPE	7634B

PART NAME 2" PIPE SIZE 180° ELL X 6" I.R. W/ (2) 2" TANGENTS			
MATERIAL 2" SCH 40 A53 STEEL PIPE			
DATE 7/02/01			
DRAWN BY JAH			
FINISH MILL			
SIZE A	WEIGHT 8.10 LBS	PART NUMBER 7594B	REV