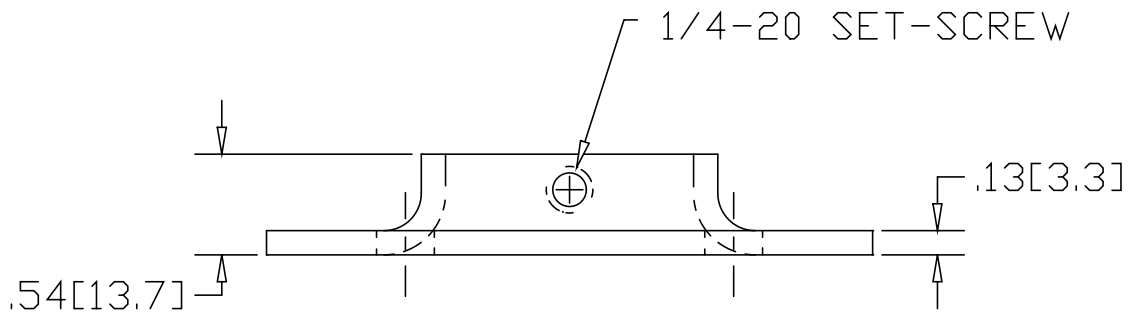
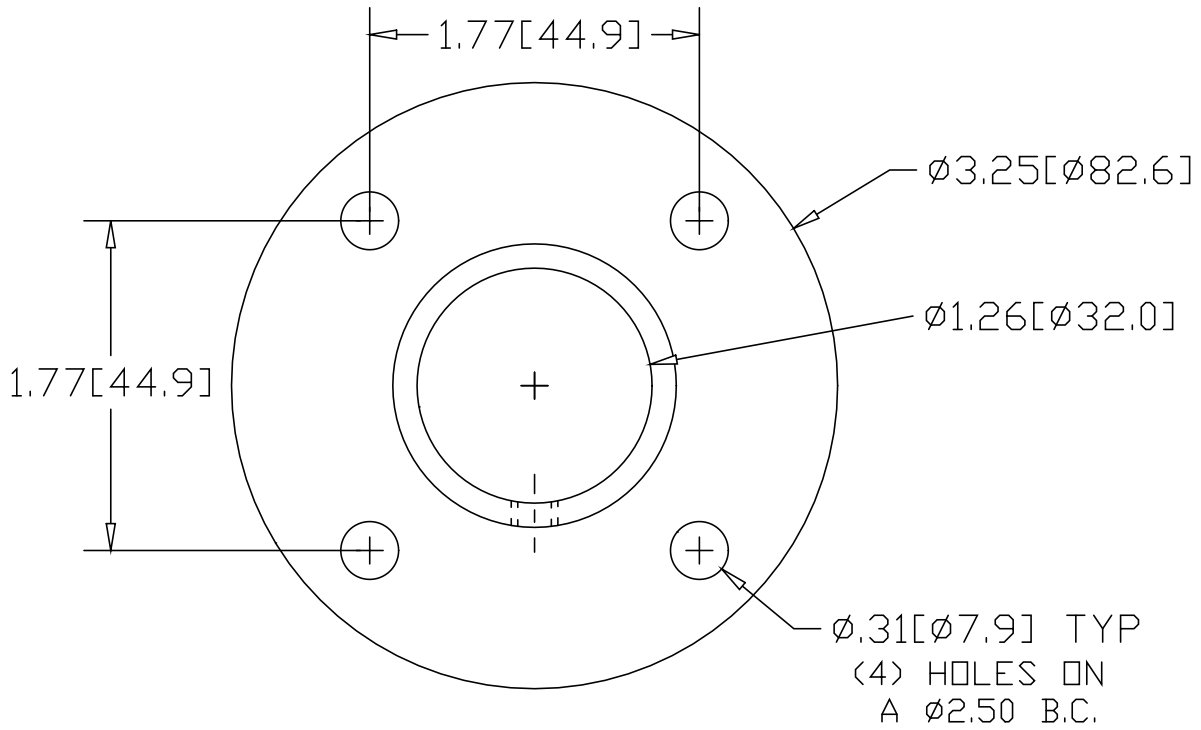



REV  
SH  
631T  
DWG NO

| REVISIONS |             |      |          |
|-----------|-------------|------|----------|
| REV       | DESCRIPTION | DATE | APPROVED |



INCHES [MILLIMETERS]

| ALTERNATE MATERIAL                     | PART NUMBER |
|--|-------------|
| .125 (3003) ALUMINUM ASTM B209         | 671T        |
| 10 GA. (304) STAINLESS STEEL ASTM A240 | 711T        |

|   |   |                    |               |
|---|---|--------------------|---------------|
| PART NAME 1-1/4" O.D. TUBE FLAT BASE FLANGE W/(4) HOLES AND SET-SCREW |   |                    |               |
| MATERIAL 10 GA. HRP&O STEEL ASTM A-569                                |   |                    |               |
| DATE 1/11/99  |  | R & B WAGNER, INC. |               |
| DRAWN BY RJF  |   | SIZE A             | WEIGHT .3 LBS |
| FINISH MILL   |   |                    | REV           |