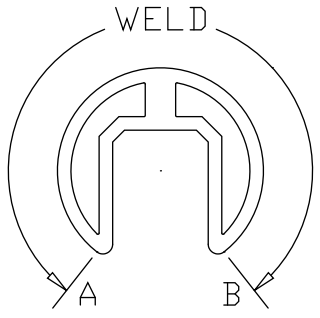
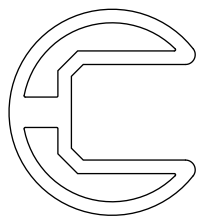
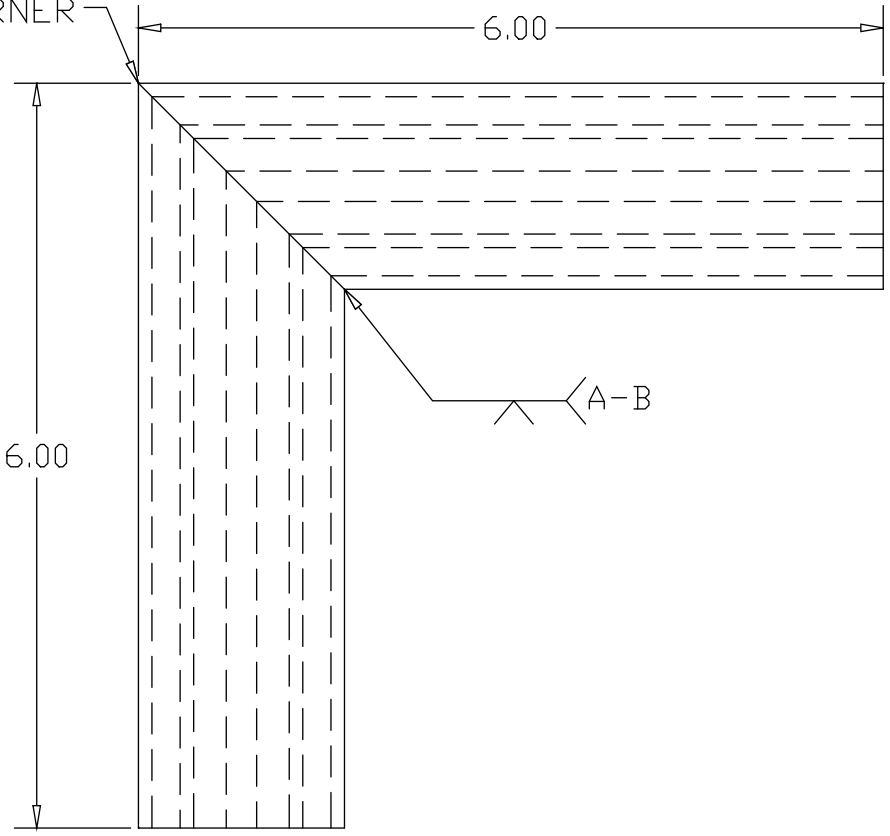



REV A  
 SH  
 DWG NO GR2168MK

REVISIONS			
REV	DESCRIPTION	DATE	APPROVED
A	REMOVED EPOXY REFERENCES	05/30/12	RJF

BREAK SHARP CORNER



PART NAME		1.66" OD AL CAPRAIL 90° HORIZONTAL MITERED CORNER		
MATERIAL		1.66" OD X .109W ALUMINUM CAPRAIL		
DATE	10/11/10	 <b>THE WAGNER COMPANIES</b> R & B WAGNER, INC. AND J. G. BRAUN CO.		
DRAWN BY	RDC			
FINISH	MILL			
SIZE	A	WEIGHT	PART NUMBER	GR2168MK
				REV A