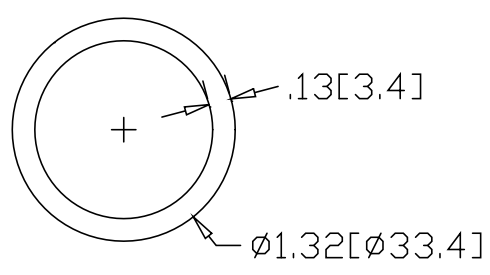
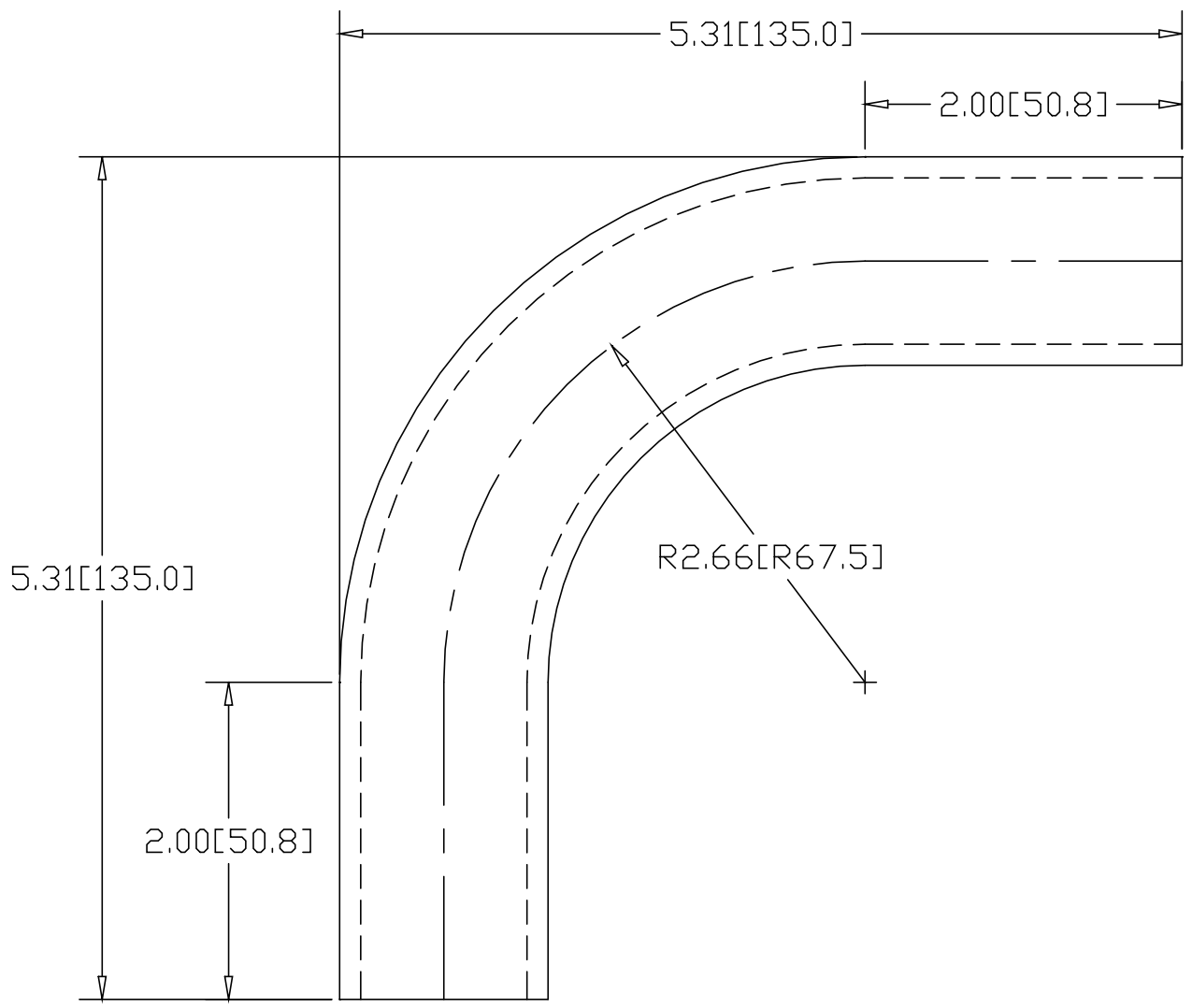


REV  
SH  
214-2  
DWG NO

REVISIONS			
REV	DESCRIPTION	DATE	APPROVED



INCHES [MILLIMETERS]

ALTERNATE MATERIAL	PART NUMBER
1" SCH 40 (6063) ALUMINUM PIPE	228-2
1" SCH 40 (304) STAINLESS STEEL PIPE	271-S2

PART NAME				1" PIPE SIZE 90° ELL X 2" I.R. W/(2) 2" TANGENTS	
MATERIAL				1-1/4" SCH 40 STEEL PIPE A53	
DATE	8/24/95	<b>WAGNER</b> R & B WAGNER, INC.			
DRAWN BY	RJF				
FINISH	MILL				
SIZE	A	WEIGHT	1.1 LBS	PART NUMBER	214-2
				REV	