

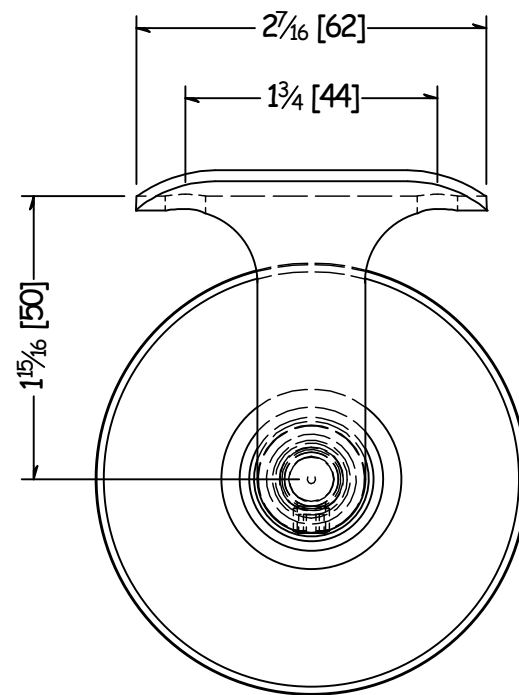
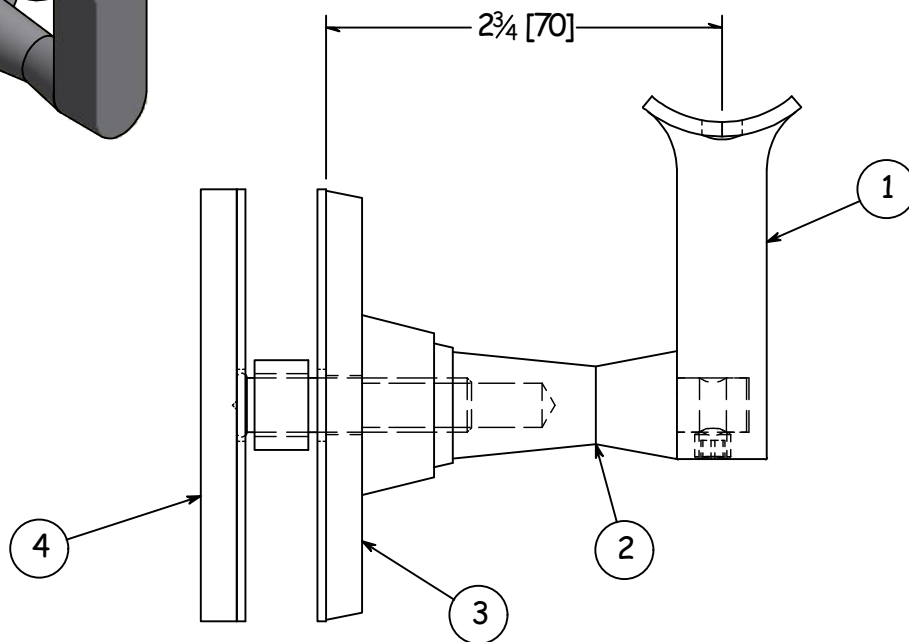
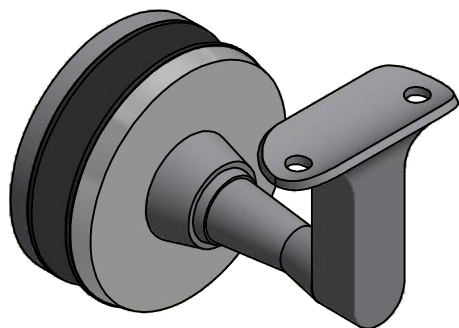
2



1

PARTS LIST

ITEM	QTY	PART NUMBER	DESCRIPTION
1	1	S3501	Handrail Bracket Saddle And Vertical Arm, SS, Cast, #4 Satin Finish, Type 316
2	1	RS3250	Handrail Bracket Arm, SS, Cast, 2-3/16 in Long, W/ End Spool, #4 Satin Finish
3	1	DS901.316	3" Round Backing Disk for Wall Mount
4	1	GB4373K.75	GLASS MOUNT ADAPTER KIT SS #4 FOR 3/4" GLASS, 316



B

B



A

A

<b>TOLERANCE</b> FRACTION: X/XX..... = ± 1/16" over 4ft. 16 FT RAIL EXAMPLE: 16 FT / 4 FT = 4 * 1/16" = 1/4" 16 FT RAIL..... = ± 1/4"  DECIMAL: X.XX..... = ± .030 X.XXX..... = ± .010  UNLESS OTHERWISE NOTED	FINISH:	DESCRIPTION: Handrail Bracket, SS, Glass Mount, 2-3/4 Inch From Glass to Center of Handrail							
	#4	MATERIAL:	316 Stainless	CUSTOMER NAME:					
	WEIGHT:	N/A	DATE:	1/14/2014					
	SIZE:	A	DRAWN BY:	K. Turdo					
		ITEM NUMBER:	GB3250.75	SHEET:	1 OF 1	DRAWING NUMBER:	GB3250.75	REV:	-

2



1



THE WAGNER COMPANIES  
R & B WAGNER, INC. AND J. G. BRAUN CO.