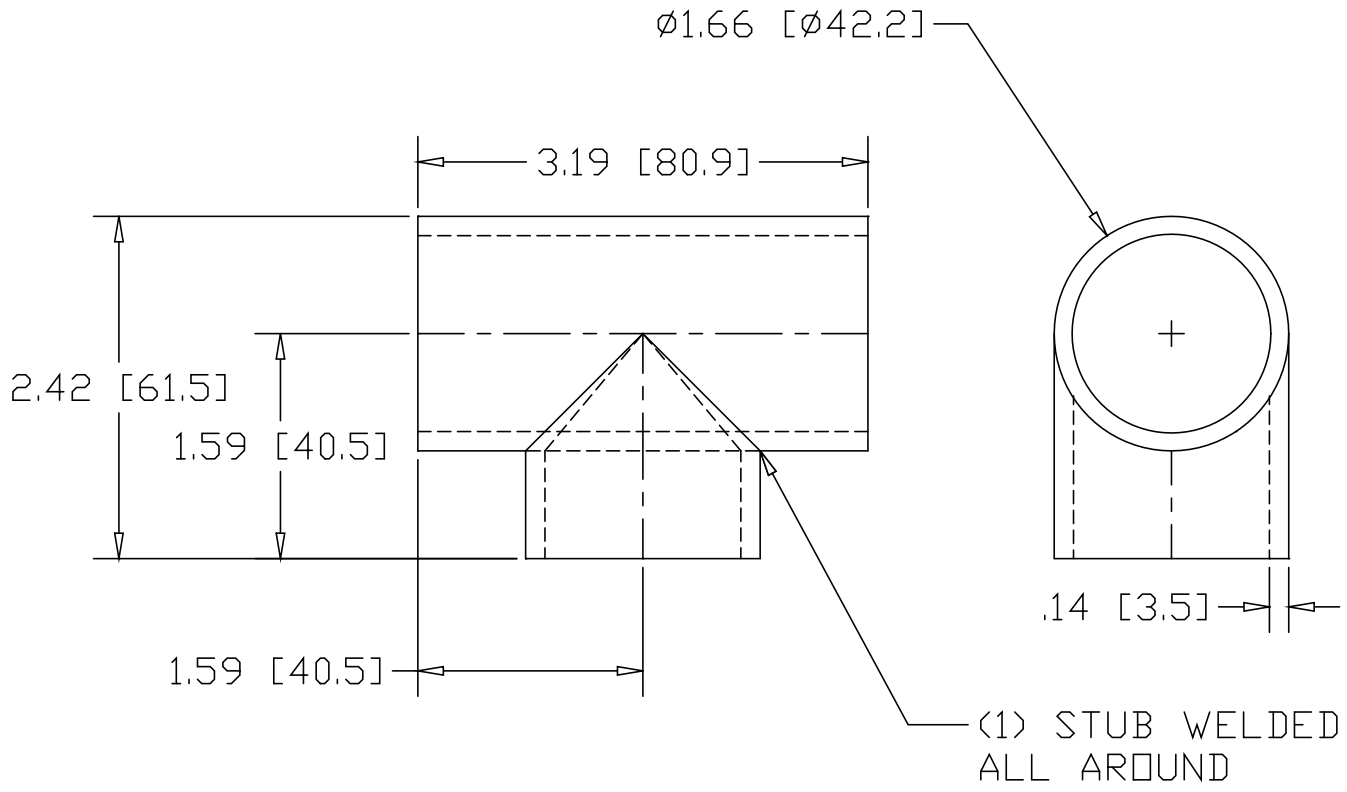



REV
SH
849
DWG NO

REVISIONS			
REV	DESCRIPTION	DATE	APPROVED



INCHES [MILLIMETERS]

PART NAME		1-1/4" ALUMINUM TEE		
MATERIAL		1-1/4" SCH 40 ALUMINUM PIPE		
DATE	10/27/93	 R & B WAGNER, INC.		
DRAWN BY	RJF			
FINISH	MILL	SIZE	WEIGHT	PART NUMBER
		A	.23 lbs	849
				REV