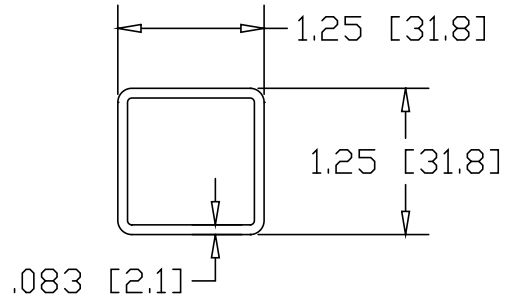
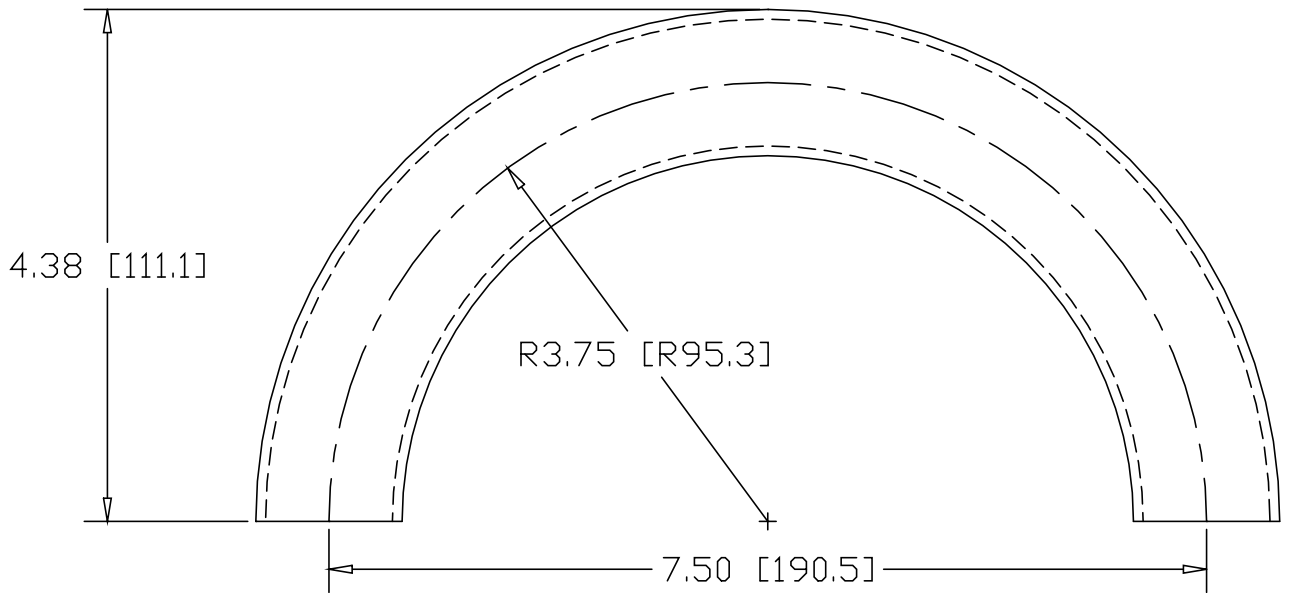



REV  
SH  
DWG NO 6342

REVISIONS			
REV	DESCRIPTION	DATE	APPROVED



INCHES [MILLIMETERS]

PART NAME		1.25" SQUARE STEEL 180° X 3.75"CLR ELL		
MATERIAL		1.25" X .083W SQUARE STEEL TUBE		
DATE	10/3/00	 <b>THE WAGNER COMPANIES</b> R & B WAGNER, INC. AND J. G. BRAUN CO.		
DRAWN BY	RJF			
FINISH	MILL			
SIZE	WEIGHT	PART NUMBER	REV	
A	1.30 LBS	6342		