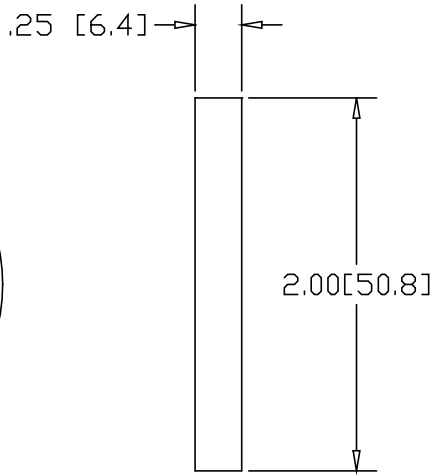
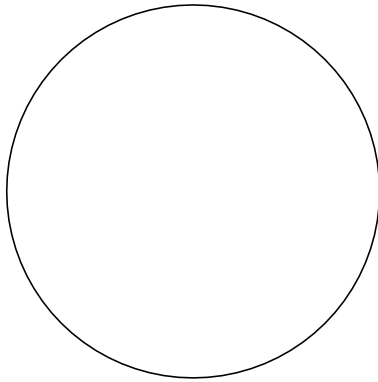
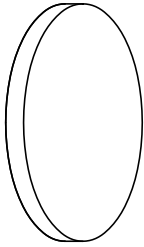



REV
SH
DWG NO D098

REVISIONS			
REV	DESCRIPTION	DATE	APPROVED



INCHES [MILLIMETERS]

ALTERNATE MATERIAL	PART NUMBER
.250 (3003) ALUMINUM ASTM B209	D099
.250 (304) STAINLESS STEEL ASTM A240	D100
.250 (260) BRASS ASTM B19,B36	D101

PART NAME		2.00" OD TUBE SIZE TYPE-D WELD-ON DISK	
MATERIAL		.250 HRP&D STEEL ASTM A569	
DATE	10/11/96	 THE WAGNER COMPANIES R & B WAGNER, INC. AND J. G. BRAUN CO.	
DRAWN BY	RJF		
FINISH	MILL		
SIZE	WEIGHT	PART NUMBER	REV
A	.23 LBS	D098	