

2



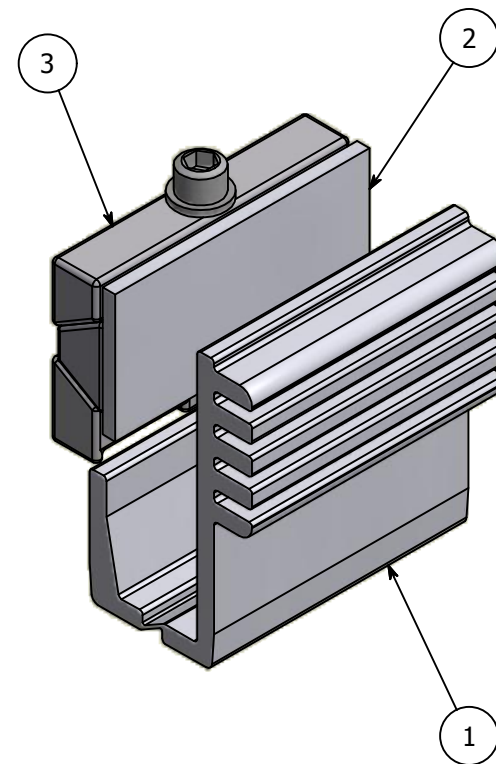
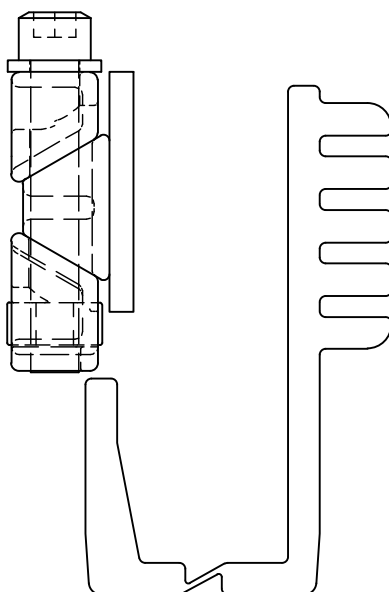
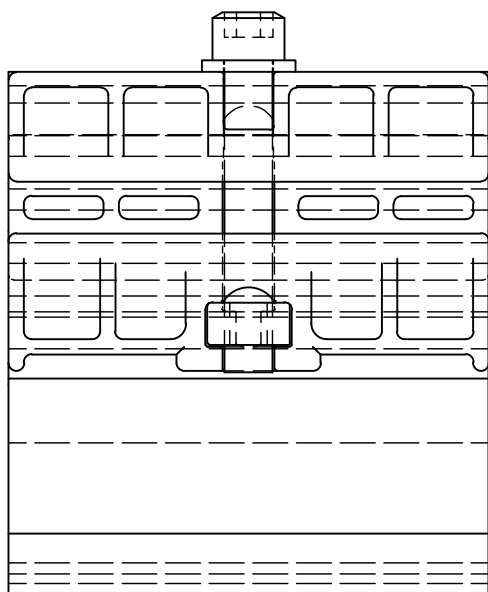
1

PARTS LIST

ITEM	QTY	PART NUMBER	DESCRIPTION
1	1	PGISO75	White Isolator, Plastic, Used with Panel Grip, 3/4" Glass
2	1	PGISO.125	White Pad, Used with Panel Grip, 3/4" Glass
3	1	N/A	Panel Grip Assembly

B

B



A

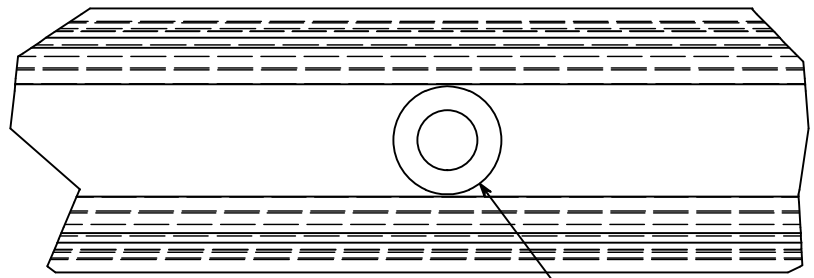
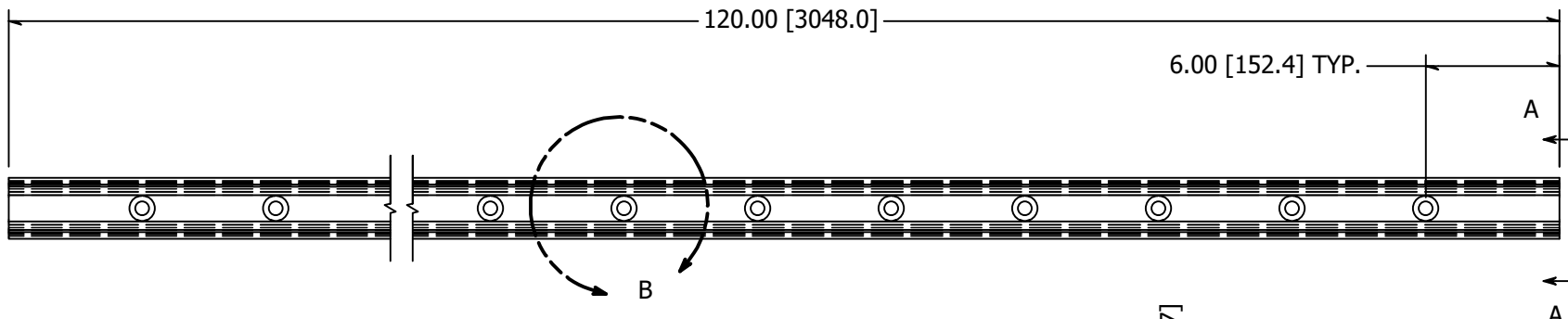
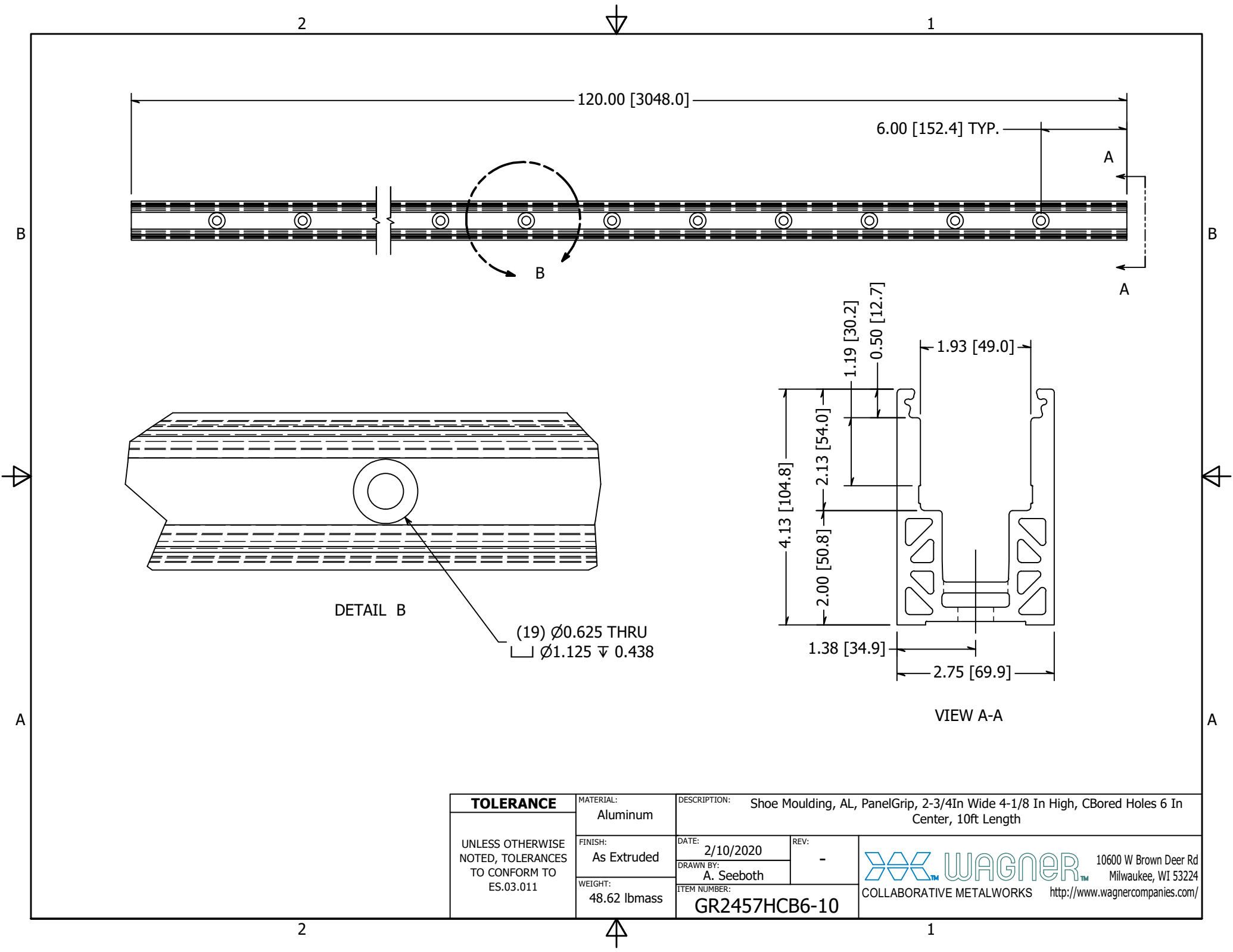
A

<p>TOLERANCE</p> <p>X.X..... = ± .060</p> <p>X.XX..... = ± .030</p> <p>X.XXX..... = ± .010</p> <p>XX°..... = ± 1°</p> <p>UNLESS OTHERWISE NOTED</p>	CUT LENGTH:	FINISH:	DESCRIPTION: PanelGrip 2 for 3/4" Glass, Dry Mount Mechanism, with White Isolator and Black Pad	
		As Is	MATERIAL:	MATERIAL DESC:
	DEVELOPED LENGTH:	WEIGHT:	DATE:	REV:
		N/A	9/10/2015	1
TOOL NUMBER:			DRAWN BY:	<p>WAGNER</p> <p>COLLABORATIVE METAL WORKS</p>
			K. Bauserman	
			PART NUMBER:	
			PG2475S	

2

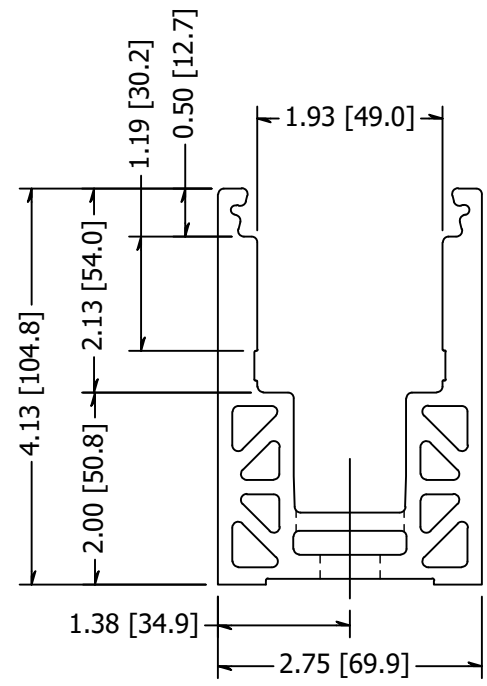


1



DETAIL B

(19) $\varnothing 0.625$ THRU
 $\varnothing 1.125 \nabla 0.438$



VIEW A-A

TOLERANCE UNLESS OTHERWISE NOTED, TOLERANCES TO CONFORM TO ES.03.011	MATERIAL: Aluminum	DESCRIPTION: Shoe Moulding, AL, PanelGrip, 2-3/4In Wide 4-1/8 In High, CBored Holes 6 In Center, 10ft Length	
	FINISH: As Extruded	DATE: 2/10/2020	REV: -
	WEIGHT: 48.62 lbmass	DRAWN BY: A. Seeboth	
		ITEM NUMBER: GR2457HCB6-10	


WAGNER
 10600 W Brown Deer Rd
 Milwaukee, WI 53224
 COLLABORATIVE METALWORKS <http://www.wagnercompanies.com/>