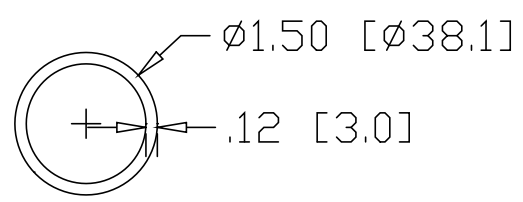
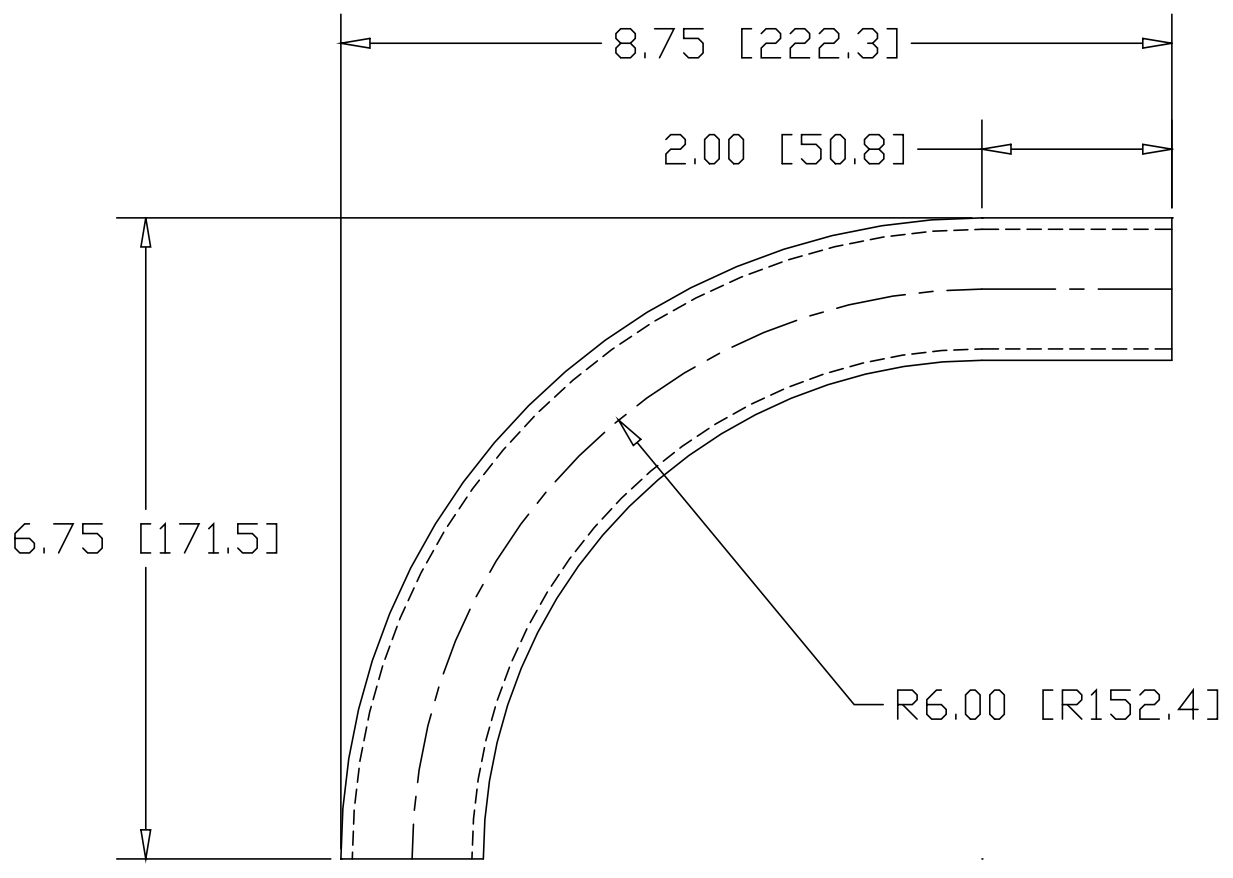



REV
SH
6957-6
DWG NO

REVISIONS			
REV	DESCRIPTION	DATE	APPROVED



INCHES [MILLIMETERS]

ALTERNATE MATERIAL	PART NUMBER
1.50" Ø.D. X .125W (6061-T1) ALUMINUM TUBE	6968-6
1.50" Ø.D. X .120W (304) STAINLESS STEEL TUBE	6976-6

PART NAME 1.50" Ø.D. TUBE 90° ELL X 6.00" CLR W/(1) 2" TANGENT			
MATERIAL 1.50" Ø.D. X .120W STEEL TUBE			
DATE 9/22/00		R & B WAGNER, INC.	
DRAWN BY RJF		SIZE A	WEIGHT 1.69 LBS
FINISH MILL			REV