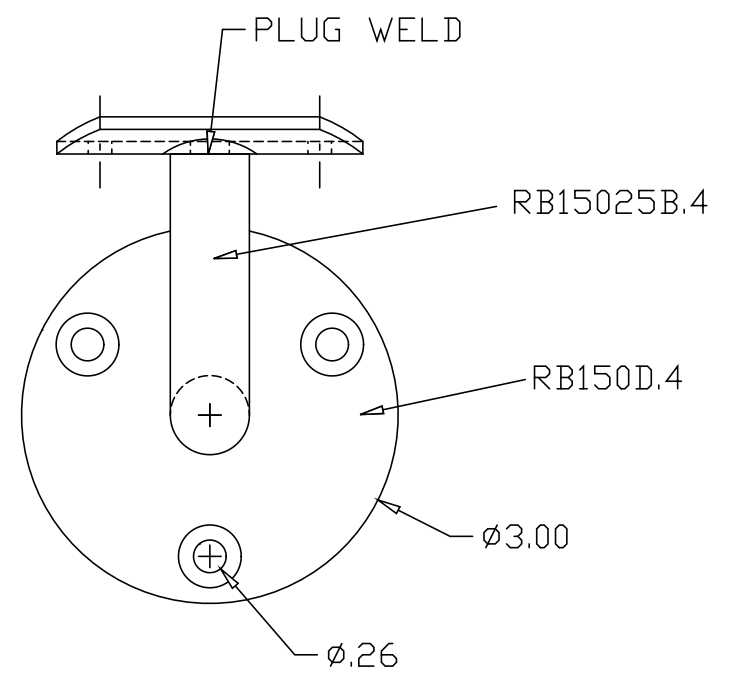
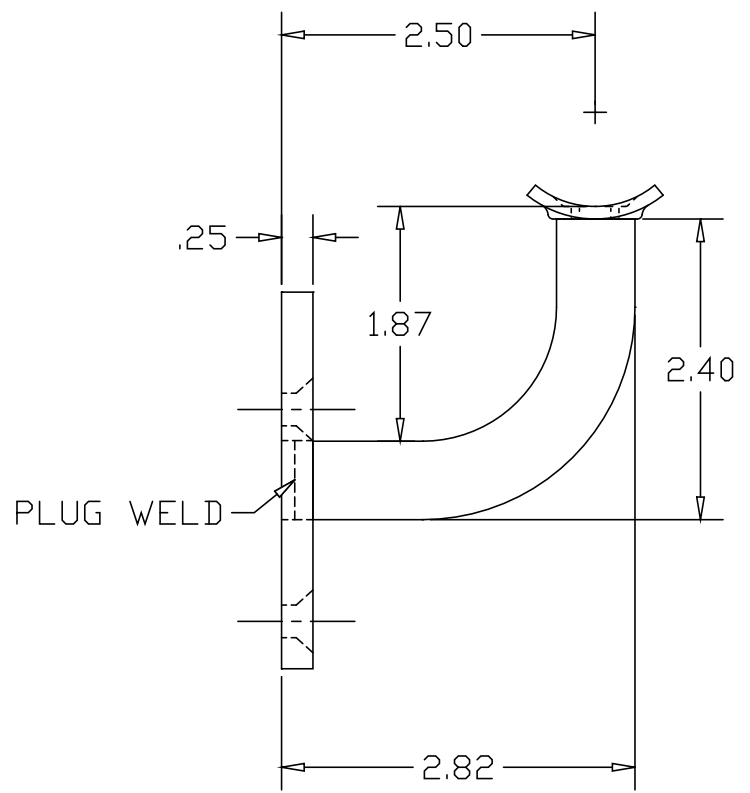


REVISIONS			
REV	DESCRIPTION	DATE	APPROVED



PART NAME		HANDRAIL BRACKET, BAR BEND FABRICATED		
MATERIAL		304 STAINLESS STEEL		
DATE	03/06/09	WAGNER	THE WAGNER COMPANIES R & B WAGNER, INC. AND J. G. BRAUN CO.	
DRAWN BY	RDC			
FINISH	#4 SATIN	SIZE	WEIGHT	PART NUMBER
		A		RB15025.4
				REV