

REV

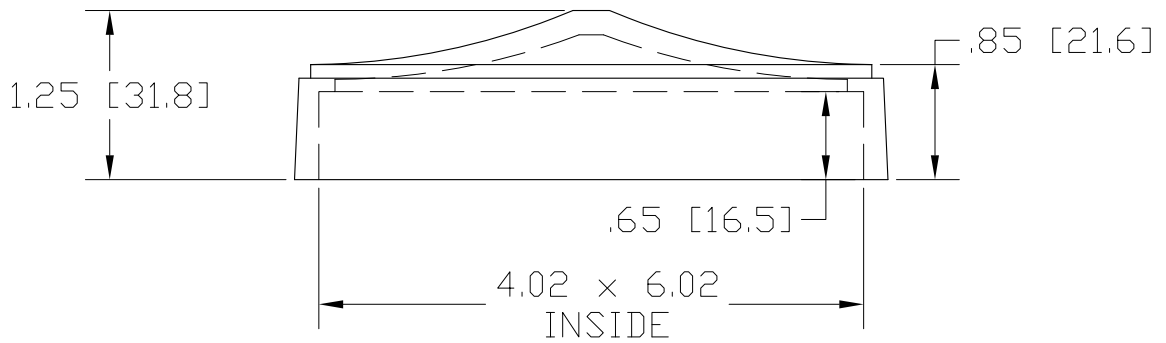
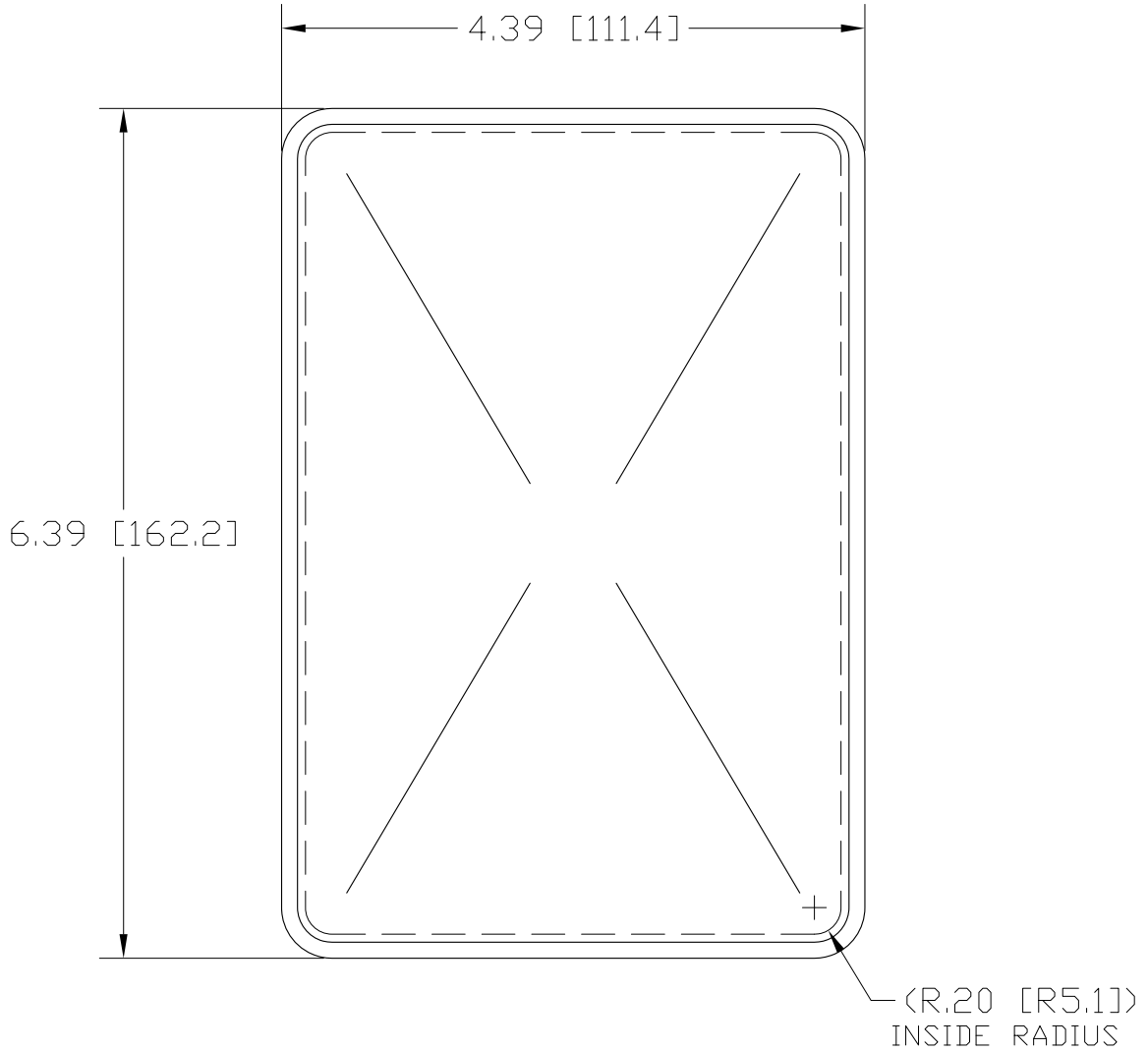
SH

DWG NO
PC14060


REV

REVISIONS

REV	DESCRIPTION	DATE	APPROVED
-----	-------------	------	----------



INCHES [MILLIMETERS]

PART NAME		4 X 6 RECTANGULAR POST CAP		
MATERIAL		CAST IRON		
DATE	08/03/12	 THE WAGNER COMPANIES R & B WAGNER, INC. AND J. G. BRAUN CO.		
DRAWN BY	RJF			
FINISH	AS-CAST	SIZE	WEIGHT	PART NUMBER
		A	1.83 LBS	PC14060
				REV