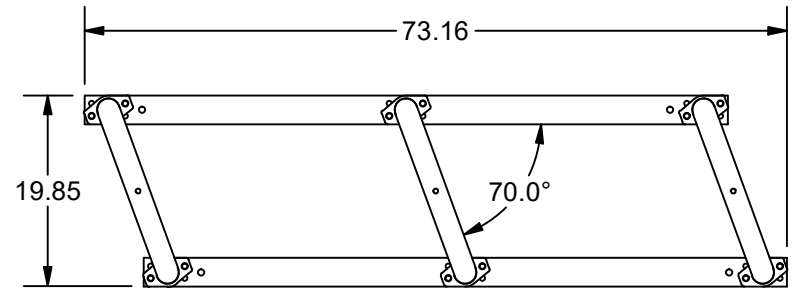
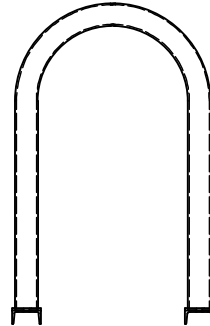
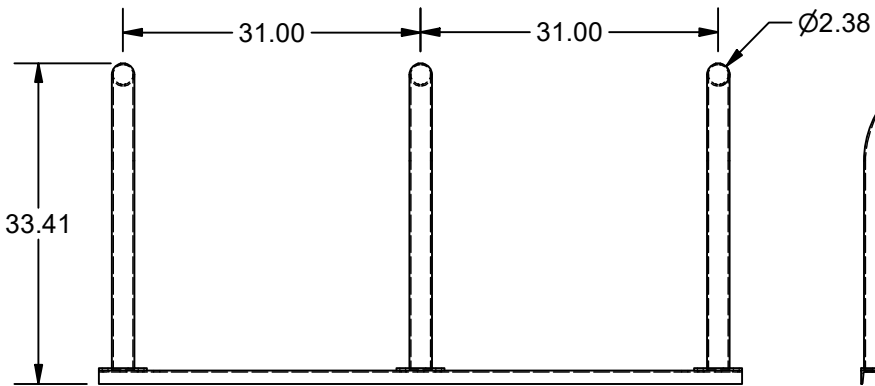
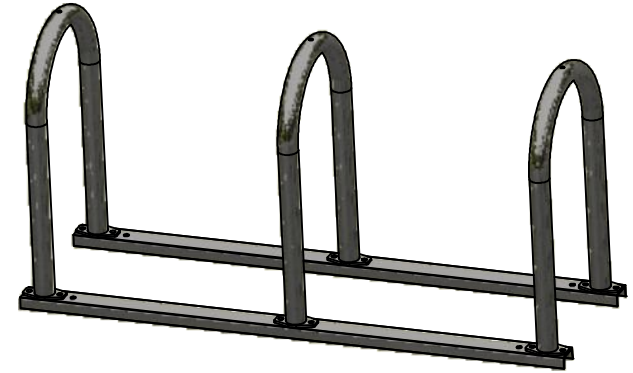
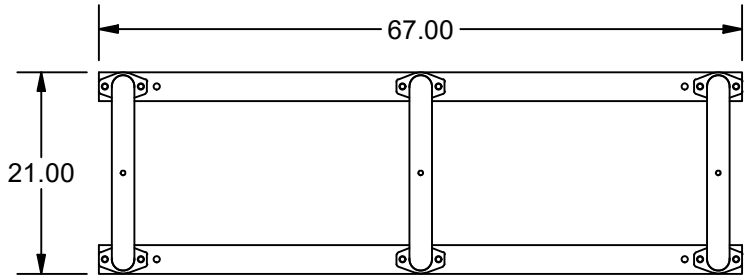




Parts List

| ITEM | QTY | PART NUMBER | DESCRIPTION |
|------|-----|-------------|----------------------------|
| 1 | 2 | BRRAIL3 | BIKE RACK RAIL, 3 POSITION |
| 2 | 3 | BRR | BIKE RACK, ROUND |



OPTIONAL ANGLED MOUNT,
LEFT OR RIGHT.

| | | | | |
|----------|--------------------|---------------------------|------------|-------------|
| NAME | | BIKE RACK, TRIPLE ROUND | | |
| MATERIAL | | 2" SCH 40 STEEL PIPE | | |
| DATE | 6/2/2021 | COLLABORATIVE METAL WORKS | | |
| DRAWN | RJF | | | |
| FINISH | HOT DIP GALVANIZED | SIZE | WEIGHT | PART NUMBER |
| | | A | 106.85 LBS | BRR-3 |
| | | | | REV |

